

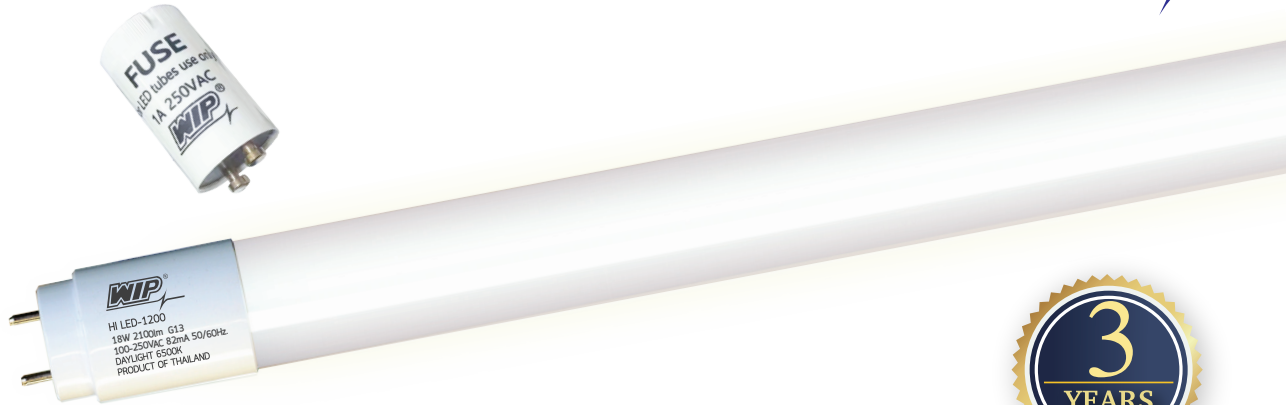
# LED TUBE T8



# LED TUBE T8



TIS. 1955-2551  
TIS. 2779-2562



*Signature*  
Designed by WIP

## HI LED : LED T8 SERIES

### Specification

|                  |                                      |                  |   |
|------------------|--------------------------------------|------------------|---|
| Input Voltage    | 100-250VAC50/60HZ.                   | CCT              | 1500K, 1800K, 2000K, 2700K,<br>3000K, 3500K, 4000K, 5000K,<br>6500K, 7000K, 7800K |
| Power Factor     | >0.95                                | Surge Protection | 1kV   |
| Base Type        | G13                                  | Weight           | <200g.  |
| Work Temperature | -10°C to + 65°C                      | Warranty         | 3 Years   |
| LED Light Source | Everlight                            |                  |   |
| LED Life Time    | 50,000 hrs.                          |                  |   |
| CRI              | >80 (1500K-6500K), >90 (2700K-7800K) |                  |   |

### HI LED : LED T8 20 Watts

| Model                             | Power (W) | Luminous Flux (lm) | Efficiency (lm/W) | Total Harmonic Distortion | Length (mm.) | Standard |
|-----------------------------------|-----------|--------------------|-------------------|---------------------------|--------------|----------|
| HI LED-1200<br>1200 mm 20W 3300Lm | 20        | 3,300              | 165               | <15%                      | 1,200        |          |
| HI LED-1200<br>1200 mm 20W 3000Lm | 20        | 3,000              | 150               | <15%                      | 1,200        |          |

### HI LED : LED T8 18 Watts

| Model                             | Power (W) | Luminous Flux (lm) | Efficiency (lm/W) | Total Harmonic Distortion | Length (mm.) | Standard |
|-----------------------------------|-----------|--------------------|-------------------|---------------------------|--------------|----------|
| HI LED-1200<br>1200 mm 18W 2700Lm | 18        | 2,700              | 150               | <15%                      | 1,200        |          |
| HI LED-1200<br>1200 mm 18W 2600Lm | 18        | 2,600              | 144               | <15%                      | 1,200        |          |
| HI LED-1200<br>1200 mm 18W 2500Lm | 18        | 2,500              | 139               | <15%                      | 1,200        |          |
| HI LED-1200<br>1200 mm 18W 2300Lm | 18        | 2,300              | 128               | <15%                      | 1,200        |          |
| HI LED-1200<br>1200 mm 18W 2100Lm | 18        | 2,100              | 117               | <15%                      | 1,200        |          |

# LED TUBE T8



TIS. 1955-2551  
TIS. 2779-2562



*Signature*  
Designed by WIP

## HI LED : LED T8 16 Watts

| Model                             | Power (W) | Luminous Flux (lm) | Efficiency (lm/W) | Total Harmonic Distortion | Length (mm.) | Standard |
|-----------------------------------|-----------|--------------------|-------------------|---------------------------|--------------|----------|
| HI LED-1200<br>1200 mm 16W 2500Lm | 16        | 2,500              | 156               | <15%                      | 1,200        |          |
| HI LED-1200<br>1200 mm 16W 2300Lm | 16        | 2,300              | 144               | <15%                      | 1,200        |          |
| HI LED-1200<br>1200 mm 16W 2100Lm | 16        | 2,100              | 131               | <15%                      | 1,200        |          |

## HI LED : LED T8 14 Watts

| Model                             | Power (W) | Luminous Flux (lm) | Efficiency (lm/W) | Total Harmonic Distortion | Length (mm.) | Standard |
|-----------------------------------|-----------|--------------------|-------------------|---------------------------|--------------|----------|
| HI LED-1200<br>1200 mm 14W 2300Lm | 14        | 2,300              | 164               | <15%                      | 1,200        |          |
| HI LED-1200<br>1200 mm 14W 2100Lm | 14        | 2,100              | 150               | <15%                      | 1,200        |          |

## HI LED : LED T8 9 Watts

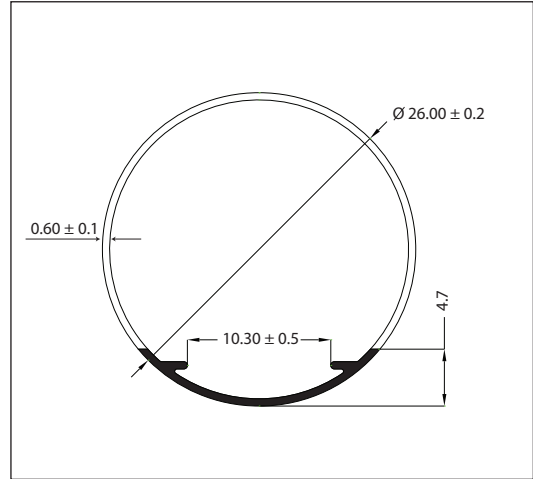
| Model                           | Power (W) | Luminous Flux (lm) | Efficiency (lm/W) | Total Harmonic Distortion | Length (mm.) | Standard |
|---------------------------------|-----------|--------------------|-------------------|---------------------------|--------------|----------|
| HI LED-0600<br>600 mm 9W 1250Lm | 9         | 1,250              | 139               | <15%                      | 600          |          |
| HI LED-0600<br>600 mm 9W 1150Lm | 9         | 1,150              | 128               | <15%                      | 600          |          |
| HI LED-0600<br>600 mm 9W 1050Lm | 9         | 1,050              | 117               | <15%                      | 600          |          |

### International Electrotechnical Commission - IEC

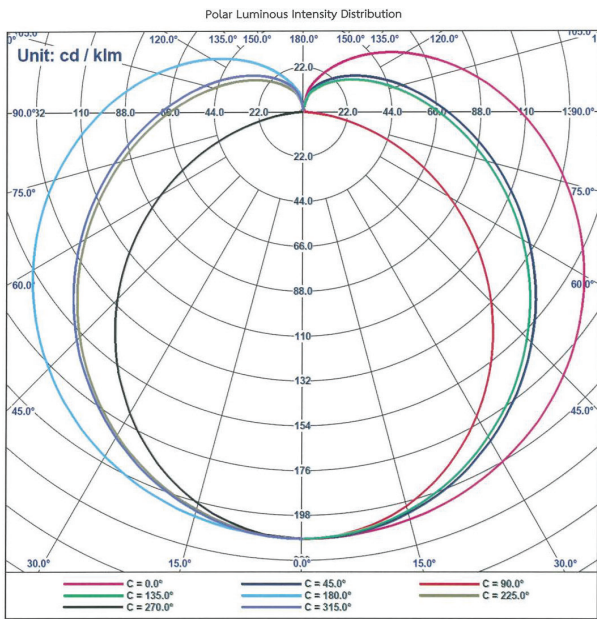
|  |  |
|--|--|
| IEC 55015 : Radio disturbance characteristics                            | IEC 61000-3-3 : Limitation of voltage                        |
| IEC 60061 : G13 Standard Dimension Test                                  | IEC 61000-4-5 : Surge Protection                             |
| IEC 60529 : Ingress Protection   | IEC 61195 : Compressive Strength                             |
| IEC 60598-1 : General Requirements and Tests                             | IEC 61547 : EMC : Conducted immunity                         |
| IEC 61000-3-2 : Harmonic Emission  | IEC 62776 : Fault Condition                                  |
| IEC 61347-2-13 : General and safety-Lamp System Short Circuit Protection | IEC 62471 : Photobiological safety of lamps and lamp systems |

# LED TUBE T8

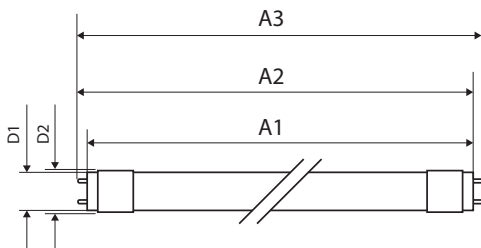
## TUBE



## BEAM ANGLE

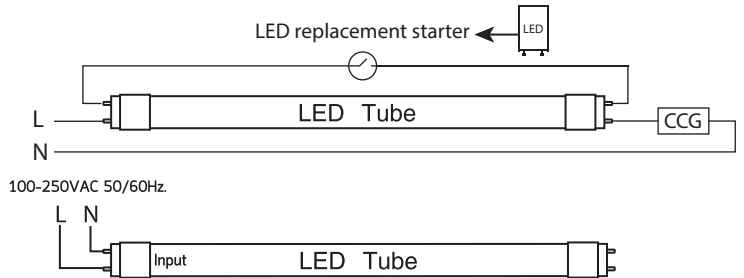


## DIMENSION



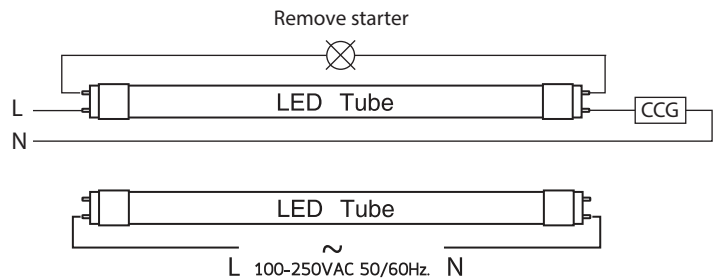
## WIRING DIAGRAM

### W1 Wiring Type Single end



Single - end ไฟเข้า 1 ข้าง

### W2 Wiring Type Double end



Double - end ไฟเข้า 2 ข้าง

### Dimension (mm.)±1.0

| Product | A1   | A2   | A3   | D1 | D2   |
|---------|------|------|------|----|------|
| T8 18W  | 1198 | 1205 | 1212 | 26 | 28.5 |
| T8 9W   | 588  | 595  | 602  | 26 | 28.5 |