

LED TUBE T8



LED TUBE T8



TIS. 1955-2551
TIS. 2779-2562



Signature
Designed by WIP

HI LED : LED T8 SERIES

Specification

Input Voltage	100-250VAC50/60HZ.	CCT	1500K, 1800K, 2000K, 2700K, 3000K, 3500K, 4000K, 5000K, 6500K, 7000K, 7800K
Power Factor	>0.95	Surge Protection	1kV
Base Type	G13	Weight	<200g.
Work Temperature	-10°C to + 65°C	Warranty	3 Years
LED Light Source	Everlight		
LED Life Time	50,000 hrs.		
CRI	>80 (1500K-6500K), >90 (2700K-7800K)		



HI LED : LED T8 EFF 175

Model	Power (W)	Luminous Flux (lm)	Efficiency (lm/W)	Total Harmonic Distortion	Length (mm.)	Standard
HI LED-1200 1200 mm 22W 3800Lm	22	3,800	173	<15%	1,200	
HI LED-1200 1200 mm 12W 2100Lm	12	2,100	175	<15%	1,200	
HI LED-1200 1200 mm 11W 1900Lm	11	1,900	173	<15%	1,200	

HI LED : LED T8 EFF 160

Model	Power (W)	Luminous Flux (lm)	Efficiency (lm/W)	Total Harmonic Distortion	Length (mm.)	Standard
HI LED-1200 1200 mm 14W 2300Lm	14	2,300	164	<15%	1,200	

HI LED : LED T8 EFF 150

Model	Power (W)	Luminous Flux (lm)	Efficiency (lm/W)	Total Harmonic Distortion	Length (mm.)	Standard
HI LED-1200 1200 mm 20W 3100Lm	20	3,100	155	<15%	1,200	
HI LED-1200 1200 mm 16W 2500Lm	16	2,500	156	<15%	1,200	
HI LED-1200 1200 mm 14W 2100Lm	14	2,100	150	<15%	1,200	
HI LED-0600 600 mm 9W 1400Lm	9	1,400	156	<15%	600	

LED TUBE T8



HI LED : LED T8 EFF 140

Model	Power (W)	Luminous Flux (lm)	Efficiency (lm/W)	Total Harmonic Distortion	Length (mm.)	Standard
HI LED-1200 1200 mm 16W 2300Lm	16	2,300	144	<15%	1,200	
HI LED-0600 600 mm 9W 1300Lm	9	1,300	145	<15%	600	

HI LED : LED T8 EFF 130

Model	Power (W)	Luminous Flux (lm)	Efficiency (lm/W)	Total Harmonic Distortion	Length (mm.)	Standard
HI LED-1200 1200 mm 18W 2500Lm	18	2,500	139	<15%	1,200	
HI LED-1200 1200 mm 16W 2100Lm	16	2,100	131	<15%	1,200	
HI LED-0600 600 mm 9W 1250Lm	9	1,250	139	<15%	600	

HI LED : LED T8 EFF 120

Model	Power (W)	Luminous Flux (lm)	Efficiency (lm/W)	Total Harmonic Distortion	Length (mm.)	Standard
HI LED-1200 1200 mm 18W 2300Lm	18	2,300	128	<15%	1,200	

HI LED : LED T8 EFF 117

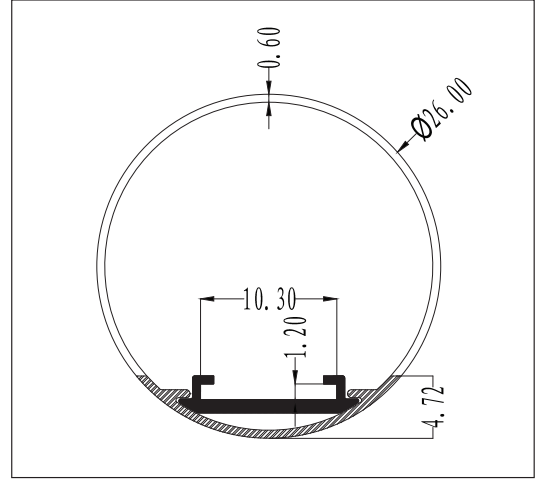
Model	Power (W)	Luminous Flux (lm)	Efficiency (lm/W)	Total Harmonic Distortion	Length (mm.)	Standard
HI LED-1200 1200 mm 18W 2100Lm	18	2,100	117	<15%	1,200	
HI LED-0600 600 mm 9W 1050Lm	9	1,050	117	<15%	600	

International Electrotechnical Commission - IEC

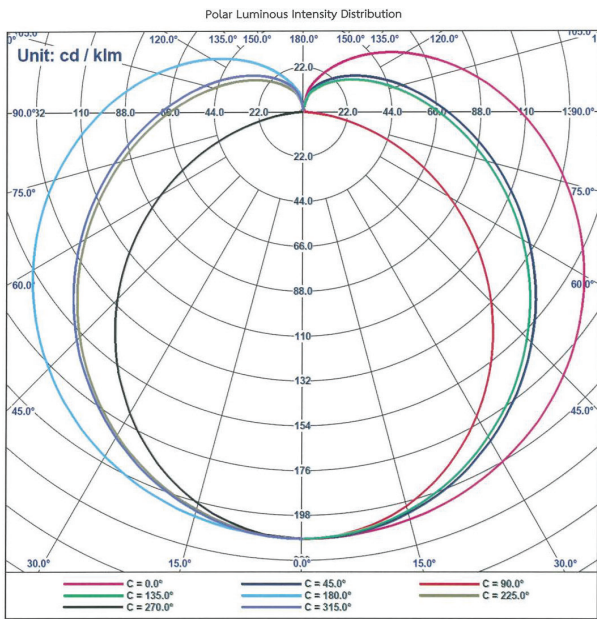
IEC 55015 : Radio disturbance characteristics	IEC 61000-3-3 : Limitation of voltage
IEC 60061 : G13 Standard Dimension Test	IEC 61000-4-5 : Surge Protection
IEC 60529 : Ingress Protection	IEC 61195 : Compressive Strength
IEC 60598-1 : General Requirements and Tests	IEC 61547 : EMC : Conducted immunity
IEC 61000-3-2 : Harmonic Emission	IEC 62776 : Fault Condition
IEC 61347-2-13 : General and safety-Lamp System Short Circuit Protection	IEC 62471 : Photobiological safety of lamps and lamp systems

LED TUBE T8

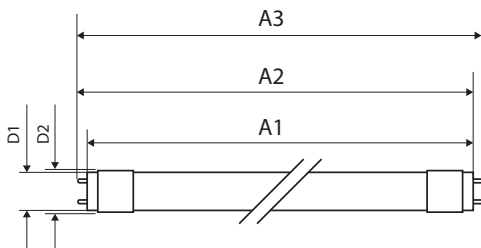
TUBE



BEAM ANGLE

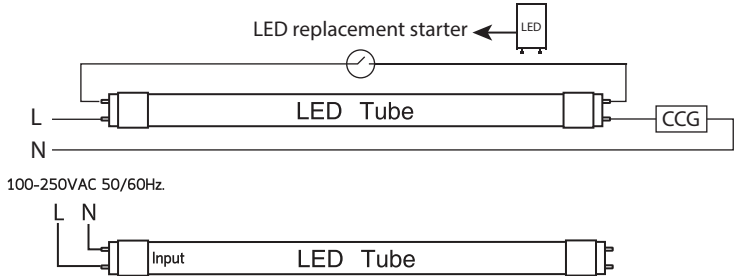


DIMENSION



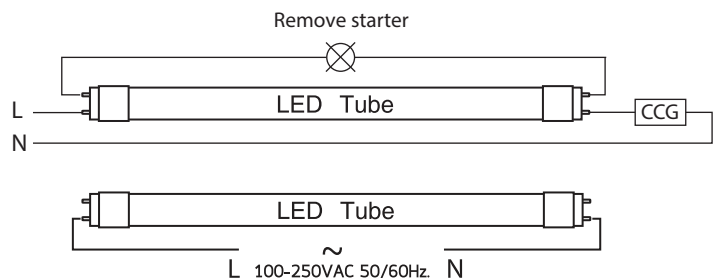
WIRING DIAGRAM

W1 Wiring Type Single end



Single - end ไฟเข้า 1 ข้าง

W2 Wiring Type Double end



Double - end ไฟเข้า 2 ข้าง

Dimension (mm.)±1.0

Product	A1	A2	A3	D1	D2
T8 18W	1198	1205	1212	26	28.5
T8 9W	588	595	602	26	28.5