

STREET LIGHT



STREET LIGHT



WJD SERIES



*Signature
Designed by WIP*



Specification

The light shell is die-casted using high-quality aluminium. With optic series specially designed for street lighting, they provide high efficiency and uniform lighting which saves up to 85% energy. The integrated molding of the lamps and electric appliances gives the product its compactable size and trendy appearance. The protection of the product is IP66 rated for its resistance to moisture and dust. This design is suitable for streets, parking spaces, highways and parks in villages.

Input Voltage	100-240Vac50/60Hz.	LED Light Source	Lumileds, Everlight	Housing	Aluminium Die Casting
Input Voltage Range	100-305Vac50/60Hz.	CRI	>70	Finishing	Powder Coated in gray
Power Factor	>0.95	CCT	2700K, 3000K, 4000K, 5000K, 6500K	Gasket	Rubber
Beam Angle	70°/150°	Driver	Meanwell / Inventronics / Moso / Sosen	Surge Protection	10kV
Work Temperature	-10°C to + 65°C			Soft Start	10% to 100% in 30 sec.
LED Life Time	50,000 hrs.			IP Rating	IP65
Lens Material	PMMA, PC			Warranty	3 Years

Model	Power (W)	Luminous Flux (lm)	Efficiency (lm/W)	Weight (Kg.)	Dimension (mm.)	standard
WJD-30	30	4,200	140	4.43	243x96x654	
WJD-40	40	5,600	140	4.43	243x96x654	
WJD-50	50	7,000	140	4.43	243x96x654	
WJD-60	60	8,400	140	4.43	243x96x654	
WJD-80	80	11,200	140	4.43	243x96x654	
WJD-100	100	14,000	140	4.43	243x96x654	
WJD-120	120	16,800	140	5.53	298x96x709	
WJD-150	150	21,000	140	5.53	298x96x709	
WJD-180	180	25,200	140	7.16	343x101x829	
WJD-200	200	28,000	140	7.16	343x101x829	
WJD-240	240	33,600	140	7.16	343x101x829	

IEC : 61000-4-5 The International Electrotechnical Commission's international standard on surge immunity.

IEC : 60529 Ingress Protection Rating

IEC : 60598-2-3 Particular requirements - Luminaires for road and street lighting

IEC : 62262 Degrees of protection provided by enclosures for electrical equipment against external mechanical impacts

EVERLIGHT® INVENTRONICS MOSO®



Products of Thailand

Eff. Date 18/09/24
Rev.1

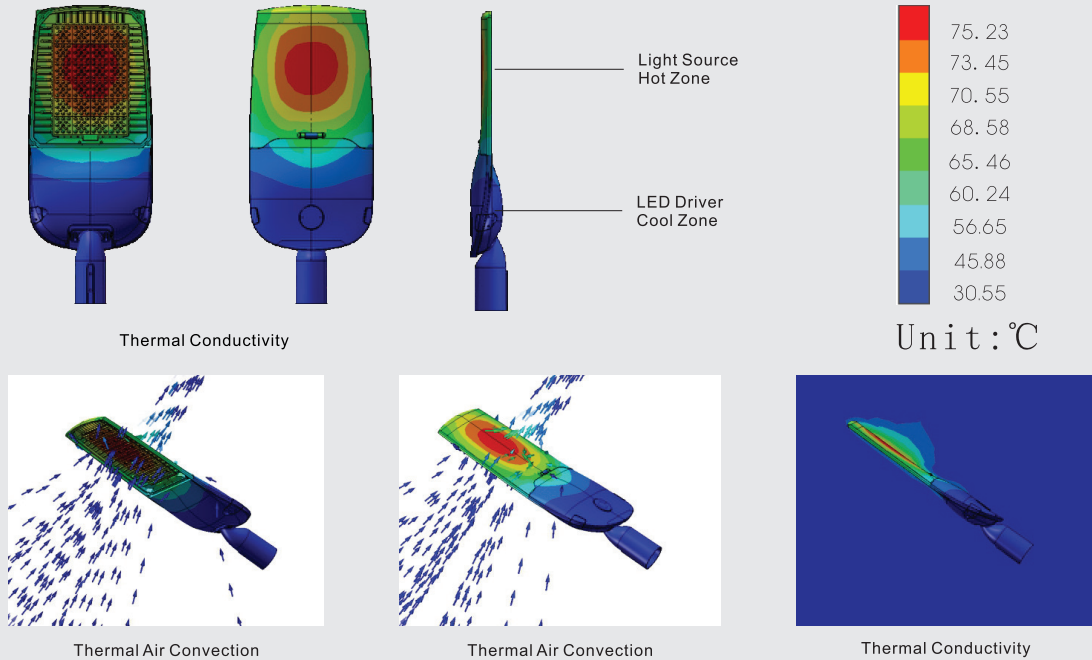
STREET LIGHT

Thermal management



THERMAL MANAGEMENT

Structure is optimized by advanced FEA technology. Achieving longer lifespan at best cost-efficiency.

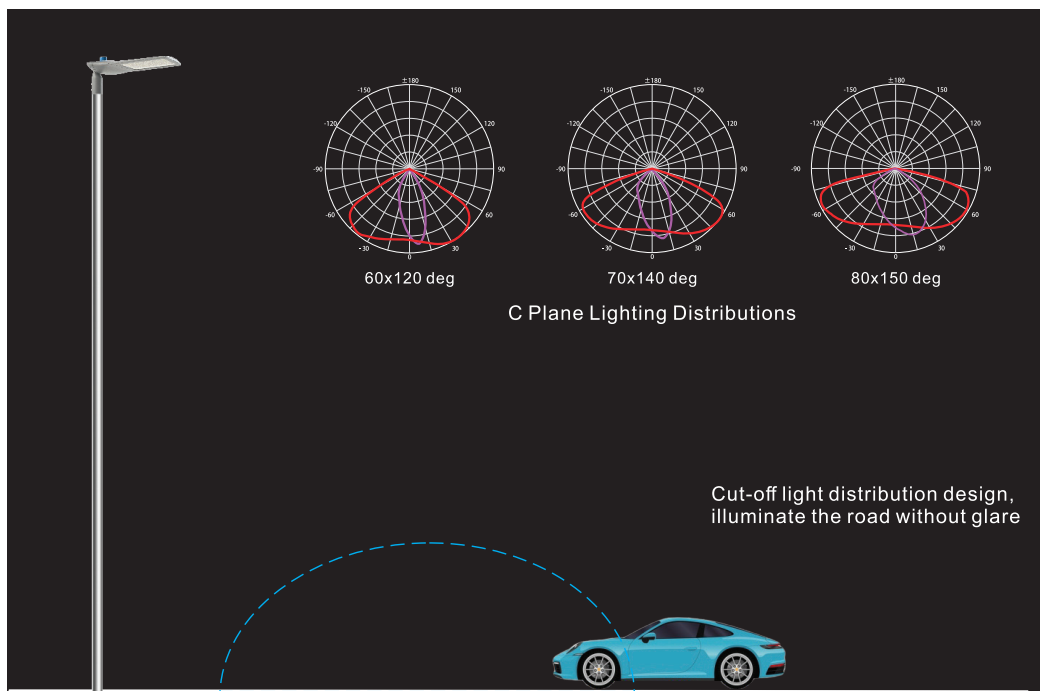


Optic

Tech. Support: Tell us the room length, width, height and the usage.

We have an engineer team to respond the DIALUX simulations for

lights quantity calculation and effects. ies files are available upon request.

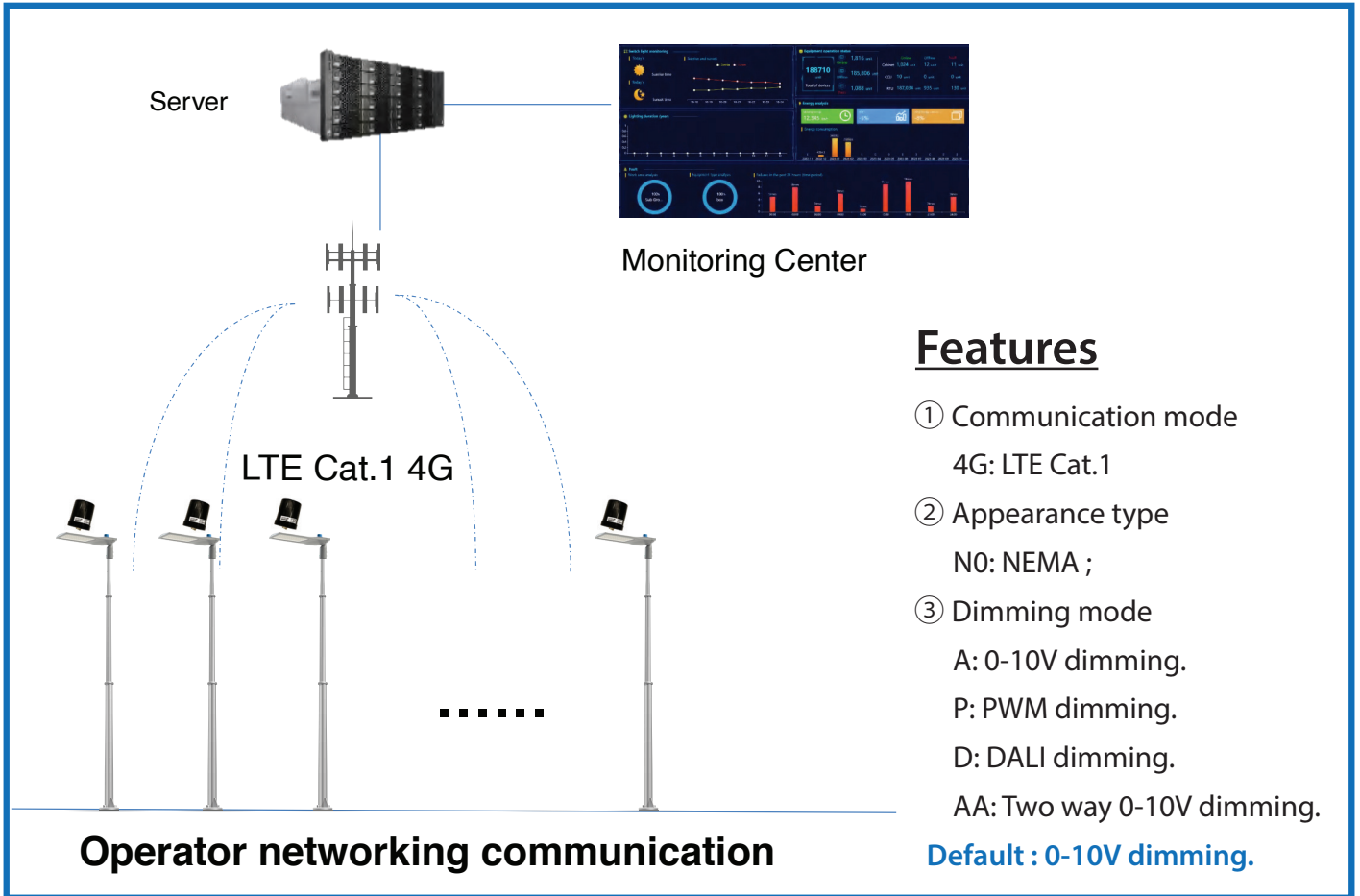


STREET LIGHT

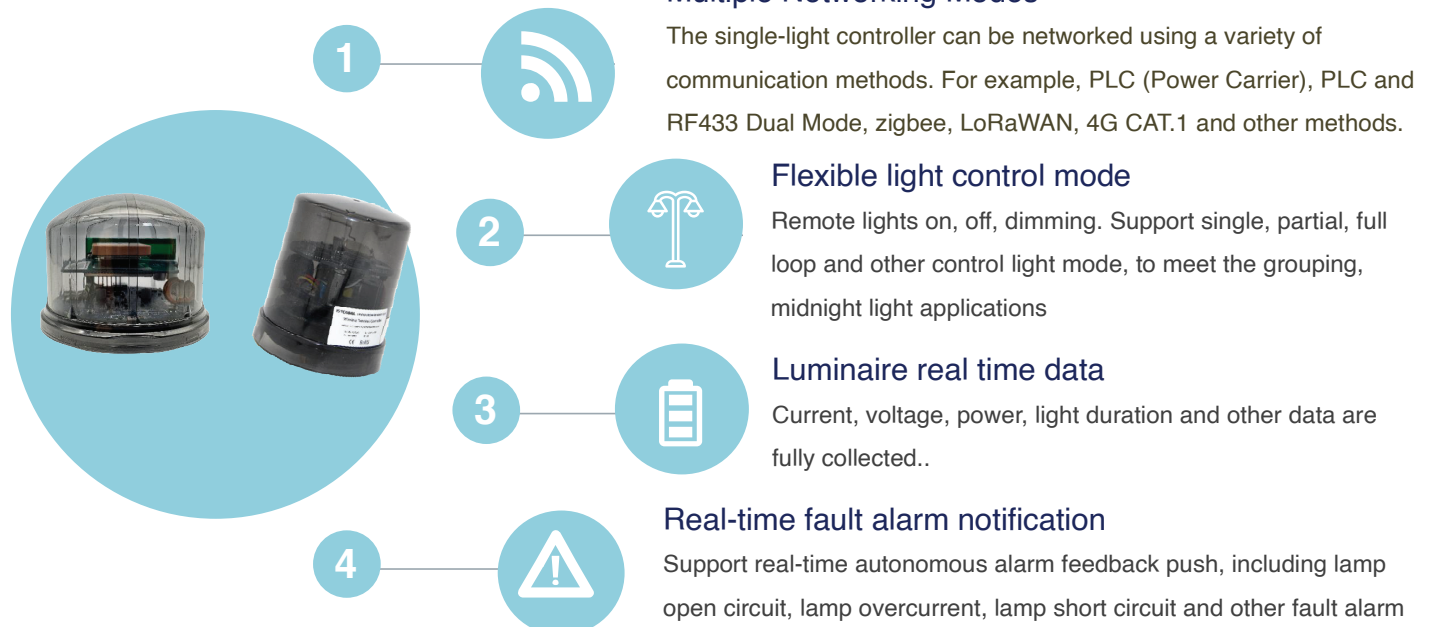
Smart Lighting Solution



Option 4G : LTE Cat.1 Lighting Controller



Terminal Controller Advantage



STREET LIGHT

Smart Lighting Solution



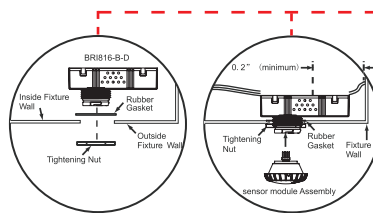
Option Microwave Sensor



Sensor Remote Programmer



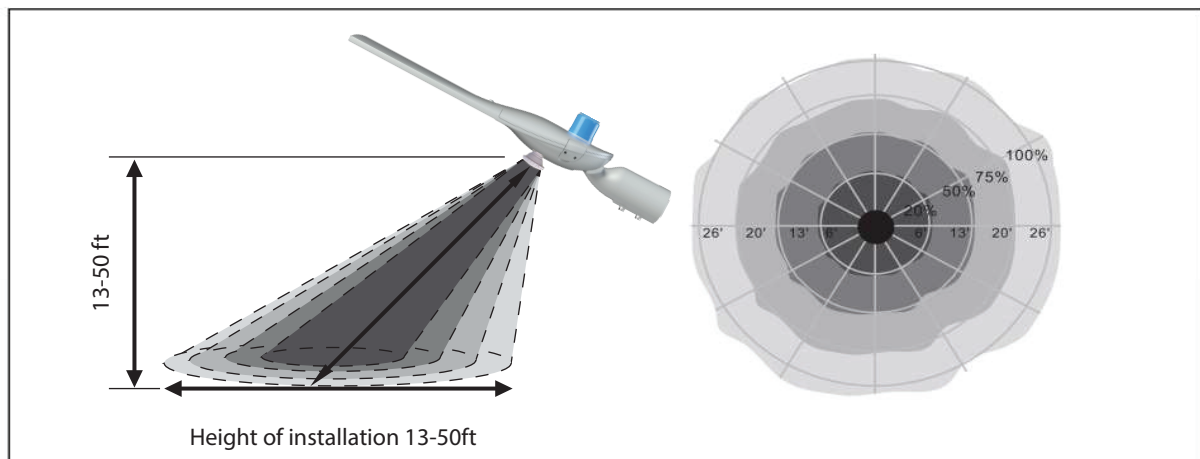
Microwave Sensor



Main Functions Microwave Sensor

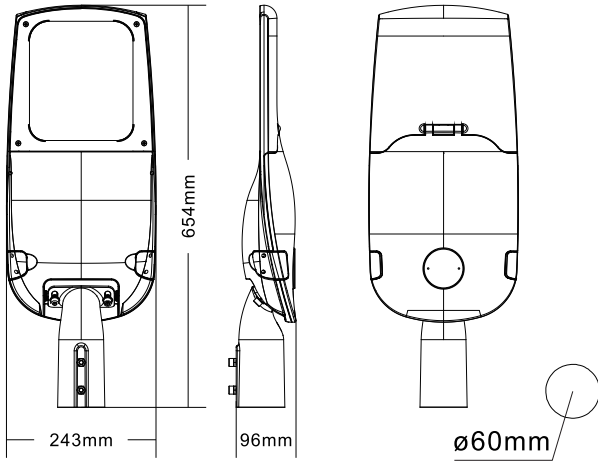
Dim Control Option	0-10V, Max. 25mA, Sinking Current
HF System	5.8GHz. +/- 75 MHz.
Mounting High	Max. 50ft (15 Meters)
Brightness Setting	70%, 80%, 90%, 100%
Detection Radius (Sensitivity)	20%, 50%, 75%, 100% (1-8M)
Hold Time Setting	10S, 1m, 5m, 10m, 15m (Dip Switch setting) 10S, 1m, 5m, 10m, 15m, 20m, 30m, 60m (Remote setting)
Daylight Sensor Setting	Light On (Lux) : 10, 30, 50 Light Off (Lux) : 100, 300, 500
Stand By Setting	Dim : 0%, 10%, 30%, 50% Time : +∞, 1m, 30m, 60m
Mode Selected	Mode1, Mode2, Mode3 and Mode4
IP Rating	IP65

SENSOR COVERAGE

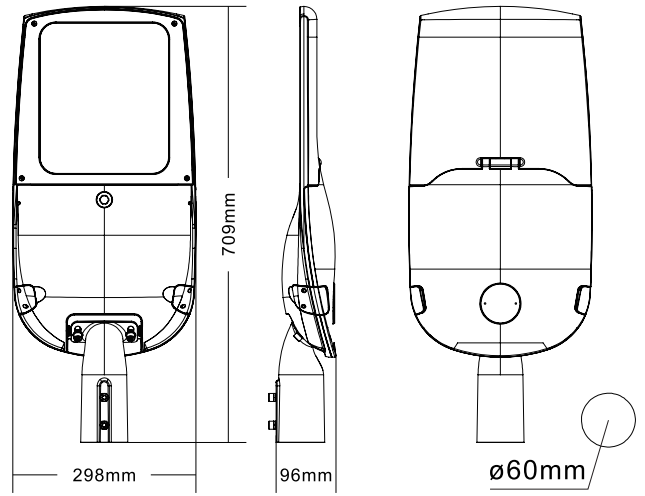


STREET LIGHT

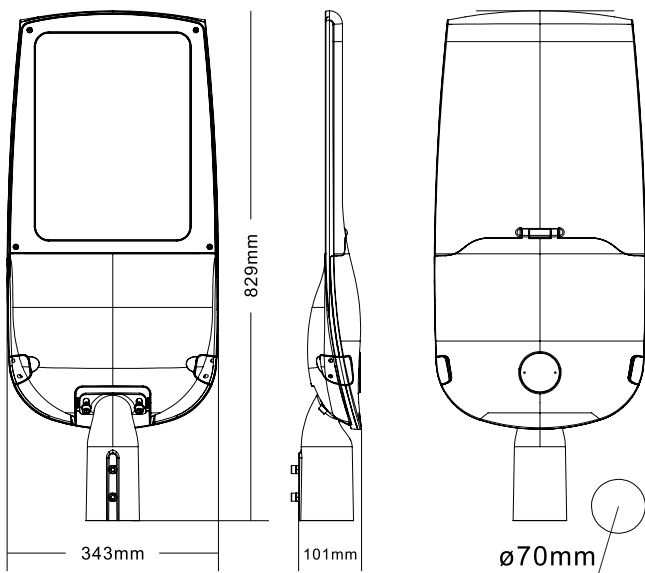
Dimension (mm.)



Type A (30-100W)



Type B (120-150W)

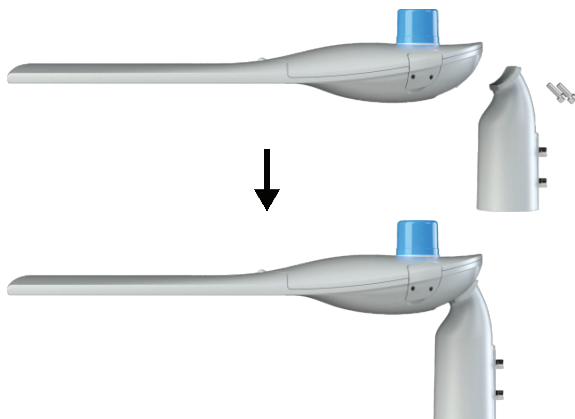


Type C (180-240W)

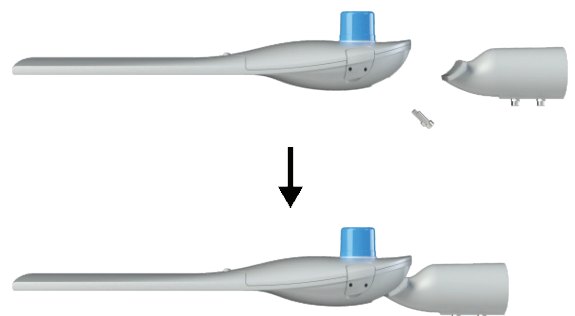
Model	Type	Dimension (mm.)		
		(W)	(H)	(L)
WJD-30	A	243	96	654
WJD-40	A	243	96	654
WJD-50	A	243	96	654
WJD-60	A	243	96	654
WJD-80	A	243	96	654
WJD-100	A	243	96	654
WJD-120	B	298	96	709
WJD-150	B	298	96	709
WJD-180	C	343	101	829
WJD-200	C	343	101	829
WJD-240	C	343	101	829

INSTALLATION METHOD

Two Installation Methods



Vertical installation



Horizontal installation

STREET LIGHT

Assembly Parts



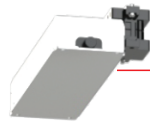
Optional with Photocell Sensor



ADC12 Die-casting Aluminum Back Cover



Waterproof Silicone Ring



Famous Brand Waterproof LED Driver

ADC12 Die-casting Aluminum Heatsinker



High Efficiency Aluminum PCB



Nano-plastic Reflector



High Lumen 3030 SMD Light Source



UV-proof Optical Lens



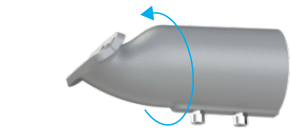
Waterproof Silicone Ring



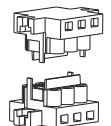
Fully Tempered Glass Cover



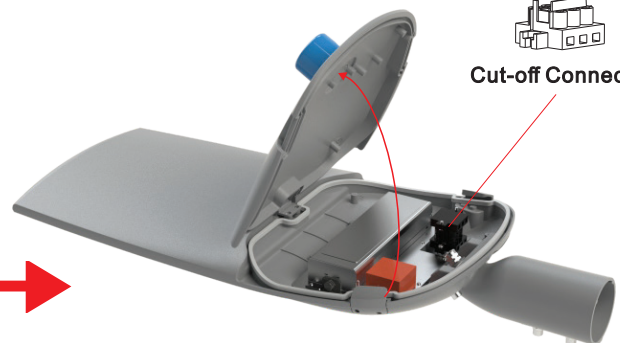
ADC12 Die-casting Aluminum Cover



Strong Installation Holder



Cut-off Connector



Large space for LED drivers

STREET LIGHT

Packaging



Features

1. Streamline Shape, Anti-wind.
2. Adc12 Diecasting Aluminum Body.
3. Compatible With 3030 Smd.
4. Horizontal/vertical Installation.
6. Optional With Sensor
7. Ip65 Waterproof For Outdoor Use.
8. Precision Road Lighting Distributions.

PACKAGING:

