

# Gems Color Grading Cabinet

## Series : GemoLED Pro



@wipintertrade



Official Website



## Specification

Light source for the colour grading of gemstone was developed in a collaboration between GIT (Gem and Jewelry Institute of Thailand.) and WIP (W.I.P. Electric Co.,Ltd)

In contrast to many of the models on the market, the new light source uses state-of-the-art LED (Light Emitting Diode) lights under specification of GIT Standard “Jewelry and precious metals – Grading polished diamonds – Terminology, classification and test methods” and, unlike most commercially available instruments, allows the addition of a customizable percentage of UV-light



Place of Origin	: Thailand
Jewelry tool & Equipment Type	: Testers & Measurements
Model	: Gemo-M001
Part No.	: WDM-B01
Product name	: Gems Color Grading Cabinet
Function	: Identification of brilliance reaction by LED Full Spectrum & High CRI98+ with Ultraviolet light
Input voltage	: 100-240VAC 50-60Hz
THDi	: <10%
Power consumption	: 45W (Max)
Surge protection	: 10KV
Light source	: LED T8 tube socket G13 x 3 : External driver (Constant Current) : Dimmable : Flicker free : Surge protection 2KV
LED	: Nichia
Lens material	: PMMA
Illuminants	: Daylight 6500K CRI98+ Noon sky Daylight 5700K CRI98+ UVA
Control output	: 3 Relays SPDT : Contract Rating 5A/250Vac (resistive load)
Operating Temperature	: 0 °C to +50 °C
Humidity tolerance	: 0-90% w/o condensation
Enclosure material	: Aluminum with Powder Coating
Viewing area (H x W x D)	: 31 cm x 47 cm x 23 cm
Product dimension (H x W x D)	: 41 cm x 53 cm x 28 cm
Weight	: 5.15 Kg.
Warranty	: 1 Year

### LED Driver Standard

(Thai)	: TIS. 1955-2551
(China)	: GB19510.1, GB19510.14
(Germany)	: EN61347-1, EN61347-2-13, EN62493
(CB Member States)	: IEC61347-1, IEC61347-2-13
(European Union)	: EN61347-1, EN61347-2-13, EN62384
(Korea)	: KC61347-1, KC61347-2-13
(Russia)	: IEC6137-1, IEC61347-2-13
(Australia)	: AS61347-1, AS61347-2-13
(Europe)	: EN61347-1, EN61347-2-13, EN62384
(Britain)	: BS EN61347-1, BS EN61347-2-13, BS EN62493
(India)	: IS15885 (Part 2/SEC 13)
(Canada)	: CSA C22.2 NO.250.13
(America)	: UL8750

### EMC Emission

(China)	: GB/T17743, GB17625.1
(European Union)	: EN55015, EN61000-3-2, EN61000-3-3, EN61547
(Korea)	: KSC9815, KSC9547
(Russia)	: IEC62493, IEC61547, EH55015
(Australia)	: EN55015, EN61000-3-2, EN6100-3-3, EN61547
(Britain)	: BS EN IEC55015, BS EN IEC61000-3-2, BS EN61000-3-3, BS EN61547
(Canada)	: ICES-005
(America)	: FCC PART 15B

### EMC Immunity

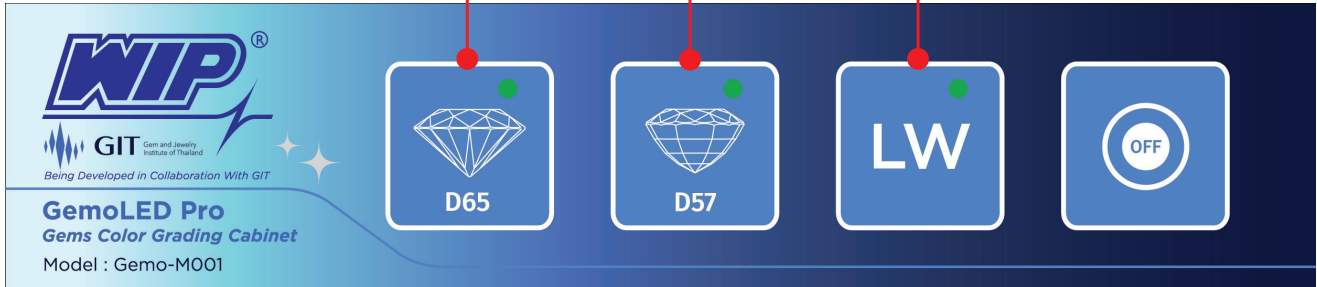
EN61000-4-2,3,4,5,6,8,11, EN61547

# Controller

6500K

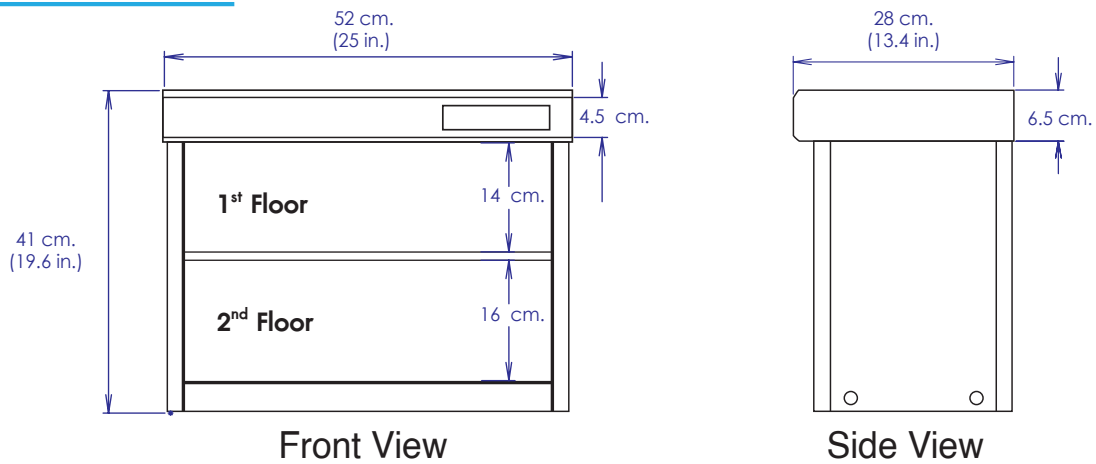
5700K

UVA

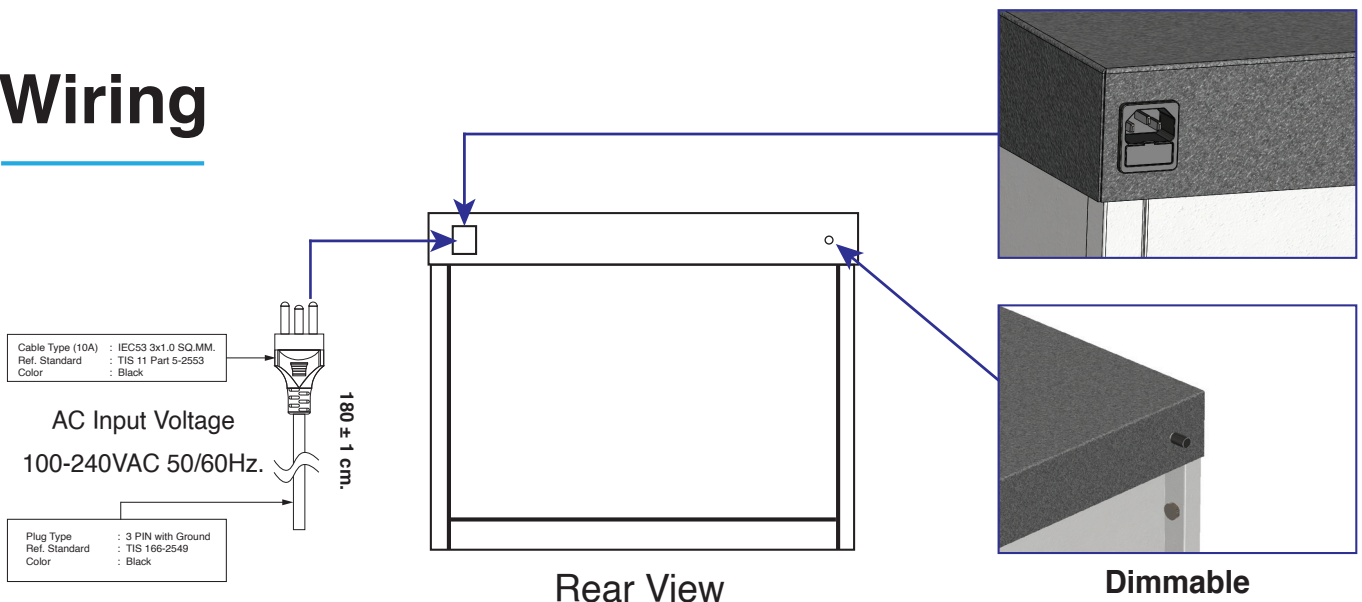


Part No.	Symbol of Sources	Lamp Size (T8 Lamps)	Power	Description
T8M65-15		42 cm. (20 In.)	15W (Max)	D65 (Daylight 6500K) CRI98+
T8M57-15		42 cm. (20 In.)	15W (Max)	D57 (Noon Sky Daylight 5700K) CRI98+
T8MLW-15	<b>LW</b>	42 cm. (20 In.)	15W (Max)	LW (UVA)

# Dimension



# Wiring



# Gems Color Grading T8 Tube (Socket G13)

## 1<sup>st</sup> Floor

Series	Part No.	Power	Input Voltage	CCT	CRI	Lens	Beam Angle	Wiring	Lux (Center)
GemoLED Pro	T8M65-15	15W	42VDC, 290mA	6500K ±300	98+	PMMA	~165° + 130°	Single End	4726 lux
	T8M57-15	15W	42VDC, 290mA	5700K ±300	98+	PMMA	~165° + 130°	Single End	4858 lux
	T8MLW-15	15W	42VDC, 290mA	UVA	-	PMMA	Asymmetric beam for wall washing	Single End	22 lux

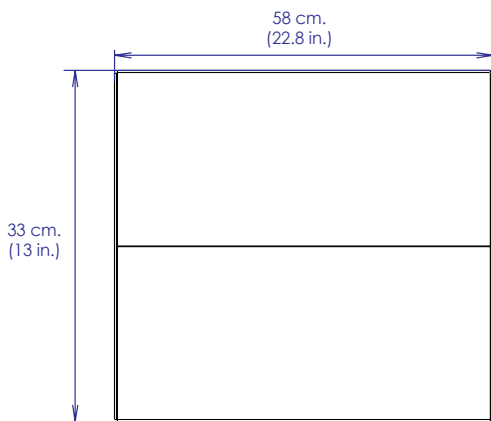
## 2<sup>nd</sup> Floor

Series	Part No.	Power	Input Voltage	CCT	CRI	Lens	Beam Angle	Wiring	Lux (Center)
GemoLED Pro	T8M65-15	15W	42VDC, 290mA	6500K ±300	98+	PMMA	~165° + 130°	Single End	2072 lux
	T8M57-15	15W	42VDC, 290mA	5700K ±300	98+	PMMA	~165° + 130°	Single End	2027 lux
	T8MLW-15	15W	42VDC, 290mA	UVA	-	PMMA	Asymmetric beam for wall washing	Single End	13 lux

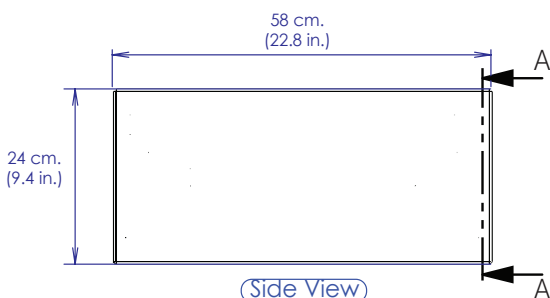
# Package

### Packing

- Packaging details : Foam + carton
- Selling units : Single item
- Single package size (H x W x D) : 24cm x 33cm x 58cm
- Single gross weight : 7 Kg



Top View



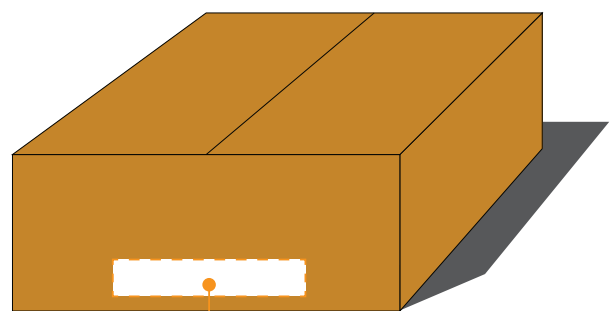
Side View

Each layer will have a paper pads, 4pads in total.  
Type of paper : Kraft paper (KA185)

### Paper Pad



Section A - A



### Caution symbol



**Products : Gems Color Grading T8 Tube**

**Model : GemoLED-M65**

**Part No. : T8M65-15 (For Cabinet Medium Size)**

Description : Gems Color Grading T8 Tube the higher CRI 98+, provide better natural color with more depth for Model : Gemo-M001

Tube length : Ø 28.8mm. x 420 mm.

Material : Aluminum Extrusion

Lens : PMMA

Socket : G13

Protection : IP30

**Light Source**

LED Chip : Nichia

Wattage : 15W (Max)

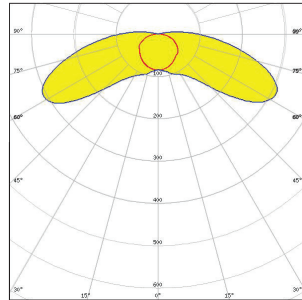
CCT : 6500K ±300K

Beam Angle : ~165° + 130° extra wide beam for uplighting

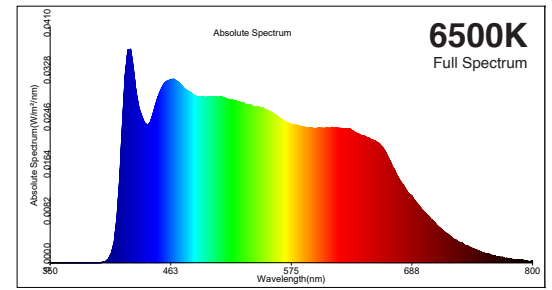
Dim : Dimmable

Input Voltage : 42VDC 310mA

Warranty : 1 Year



Patent: 1901005578



**Products : Gems Color Grading T8 Tube**

**Model : GemoLED-M57**

**Part No. : T8M57-15 (For Cabinet Medium Size)**

Description : Gems Color Grading T8 Tube the higher CRI 98+, provide better natural color with more depth for Model : Gemo-M001

Tube length : Ø 28.8mm. x 420 mm.

Material : Aluminum Extrusion

Lens : PMMA

Socket : G13

Protection : IP30

**Light Source**

LED Chip : Nichia

Wattage : 15W (Max)

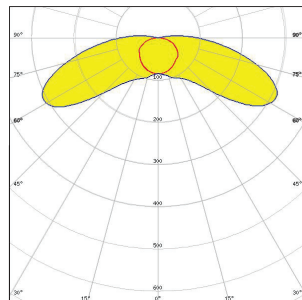
CCT : 5700K ±300K

Beam Angle : ~165° + 130° extra wide beam for uplighting

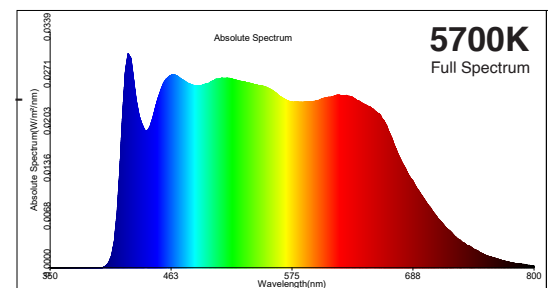
Dim : Dimmable

Input Voltage : 42VDC 310mA

Warranty : 1 Year



Patent: 1901005578



**Products : Gems Color Grading T8 Tube**

**Model : GemoLED-M50**

**Part No. : T8M50-15 (For Cabinet Medium Size)**

**Description :** Gems Color Grading T8 Tube the higher CRI 98+, provide better natural color with more depth for Model : Gemo-M001

**Tube length :** Ø 28.8mm. x 420 mm.

**Material :** Aluminum Extrusion

**Lens :** PMMA

**Socket :** G13

**Protection :** IP30

**Light Source**

**LED Chip :** Nichia

**Wattage :** 15W (Max)

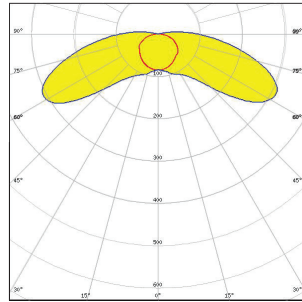
**CCT :** 5000K ±300K

**Beam Angle :** ~165° + 130° extra wide beam for uplighting

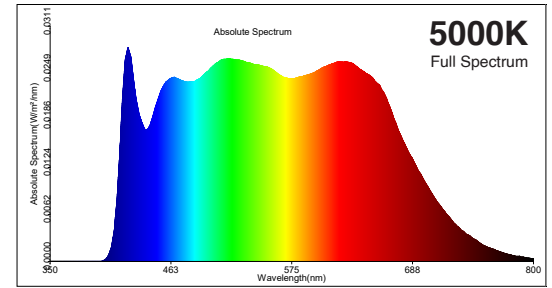
**Dim :** Dimmable

**Input Voltage :** 42VDC 310mA

**Warranty :** 1 Year



Patent: 1901005578



**Products : Gems Color Grading T8 Tube**

**Model : GemoLED-M25**

**Part No. : T8M25-15 (For Cabinet Medium Size)**

**Description :** Gems Color Grading T8 Tube the higher CRI 90+, provide better natural color with more depth for Model : Gemo-M001

**Tube length :** Ø 28.8mm. x 420 mm.

**Material :** Aluminum Extrusion

**Lens :** PMMA

**Socket :** G13

**Protection :** IP30

**Light Source**

**LED Chip :** Nichia

**Wattage :** 15W (Max)

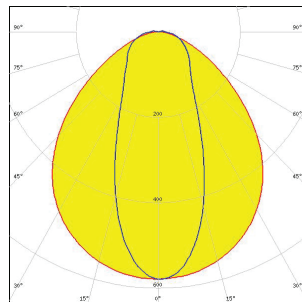
**CCT :** 2500K ±300K

**Beam Angle :** ~40° + 100° Oval beam

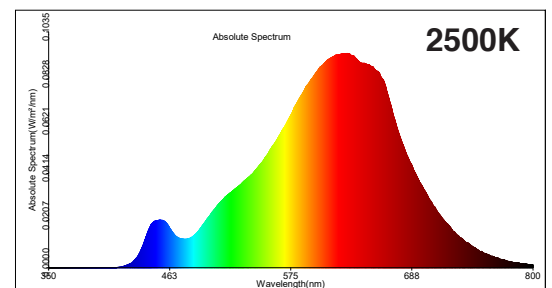
**Dim :** Dimmable

**Input Voltage :** 42VDC 310mA

**Warranty :** 1 Year



Patent: 1901005578





**Products : Gems Color Grading T8 Tube**

**Model : GemoLED-MLW**

**Part No. : T8MLW-15 (For Cabinet Medium Size)**

**Description :** Gems Color Grading T8 Tube provide better natural color with more depth for Model : Gemo-M001

**Tube length :** Ø 28.8mm. x 420 mm.

**Material :** Aluminum Extrusion

**Lens :** PMMA

**Socket :** G13

**Protection :** IP30

**Light Source**

**LED Chip :** Nichia

**Wattage :** 15W (Max)

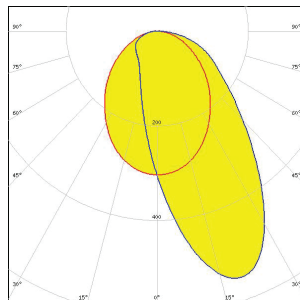
**CCT :** UVA

**Beam Angle :** Asymmetric beam for wall washing

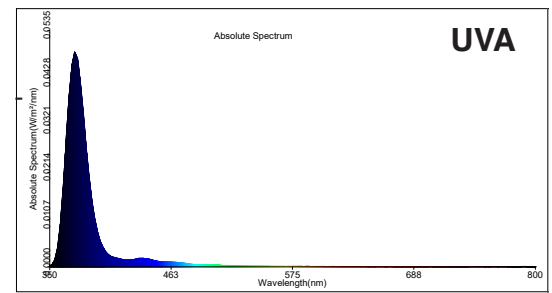
**Dim :** Dimmable

**Input Voltage :** 42VDC 310mA

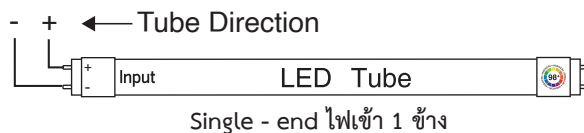
**Warranty :** 1 Year



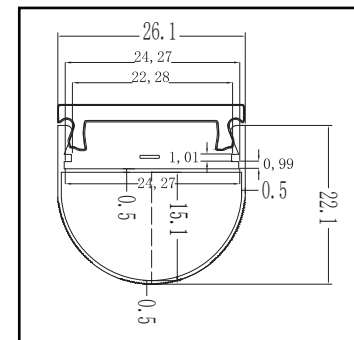
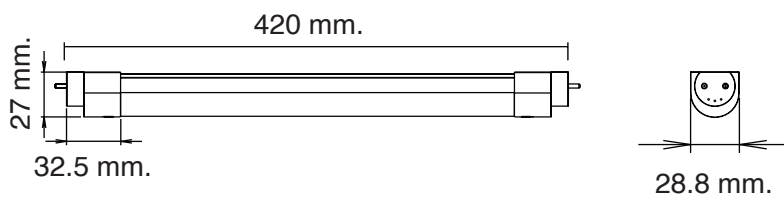
Patent: 1901005578



**Wiring Diagram**

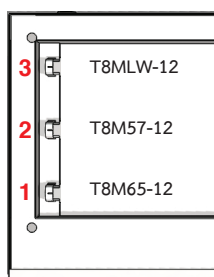


**Dimension**

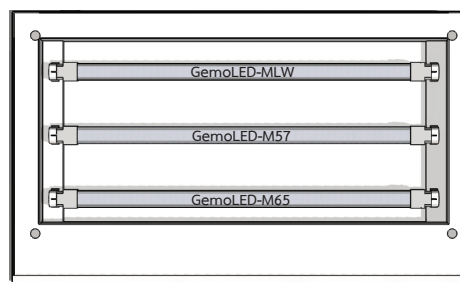


**Position Tube**

Part No. Marking



Front



Front