

STREET LIGHT



STREET LIGHT



Made in Thailand



TIS. 1955-2551



TIS. 902 PART 2(3)-2557



*Signature
Designed by WIP*



A SERIES

Specification

Street light A series manufactured from high quality die-casting aluminum. Rotatable installation arm design in both horizontal and vertical adjustable angles. IP66 waterproof for outdoor use. Higher lumen with well managed temperature between internal and external parts. Suitable for street, parking, park village, urban highway, etc.

Input Voltage	100-240Vac50/60Hz.	Lens Material	PC	Housing	Aluminium Die Casting
Input Voltage Range	100-305Vac50/60Hz.	LED Light Source	Lumileds, Everlight	Finishing	Powder Coated in grey
AC Input Terminal	Wire 3x1.0 (Length 30 Cm.)	CRI	>70	Surge Protection	6kV
Power Factor	>0.95	CCT	2700K, 3000K, 4000K, 5000K, 6500K	Soft Start	10% to 100% in 1 min.
Work Temperature	-10°C to + 65°C	Driver	Meanwell / Inventronics / Moso / Sosen	IP Rating	IP66
Beam Angle	70°/150°			Warranty	2 Years
LED Life Time	50,000 hrs.				

Model	Power (W)	Luminous Flux (lm)	Efficiency (lm/W)	Weight (Kg.)	Dimension (mm.)	Standard
WST-A30	30	4,050	135	1.52	210x535x108	
WST-A38	38	5,130	135	1.52	210x535x108	
WST-A40	40	5,400	135	1.52	210x535x108	
WST-A50	50	6,750	135	1.52	210x535x108	
WST-A60	60	8,100	135	1.80	210x535x108	

EVERLIGHT® INVENTRONICS



Products of Thailand

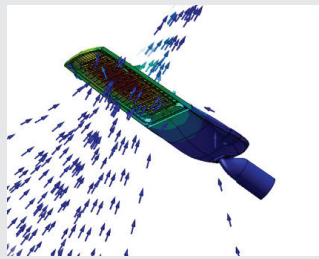
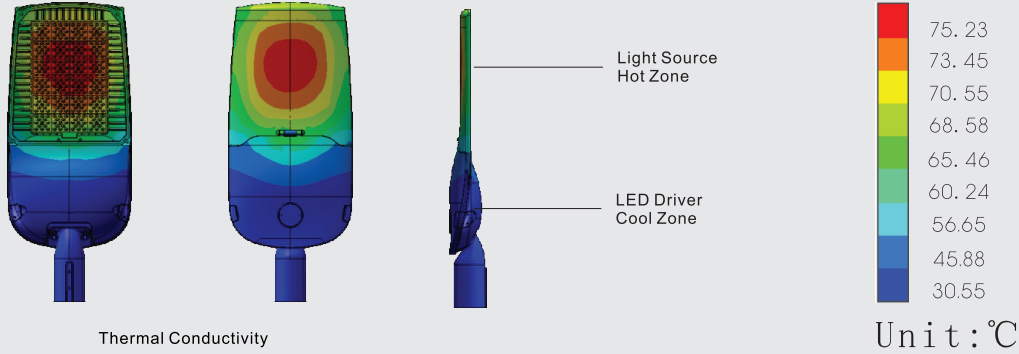
STREET LIGHT

Thermal management

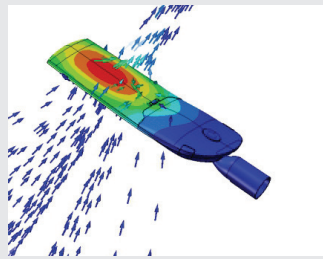


THERMAL MANAGEMENT

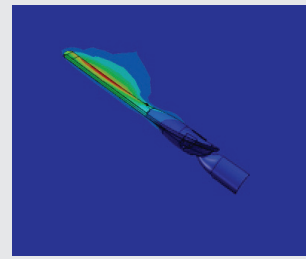
Structure is optimized by advanced FEA technology. Achieving longer lifespan at best cost-efficiency.



Thermal Air Convection



Thermal Air Convection



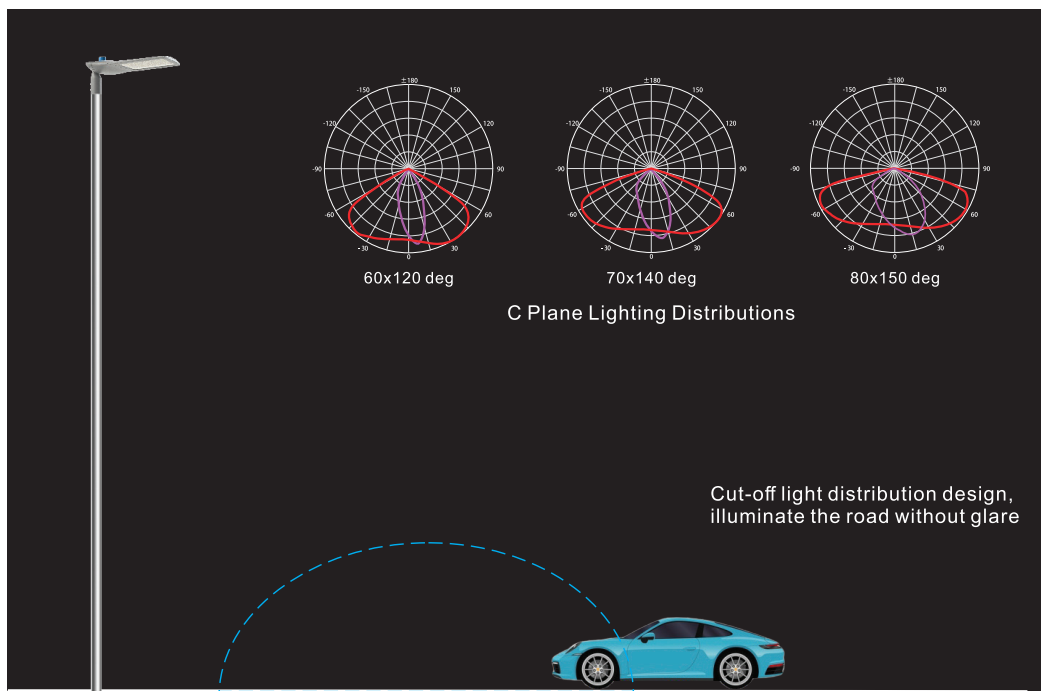
Thermal Conductivity

Optic

Tech. Support: Tell us the room length, width, height and the usage.

We have an engineer team to respond the DIALUX simulations for

lights quantity calculation and effects. ies files are available upon request.

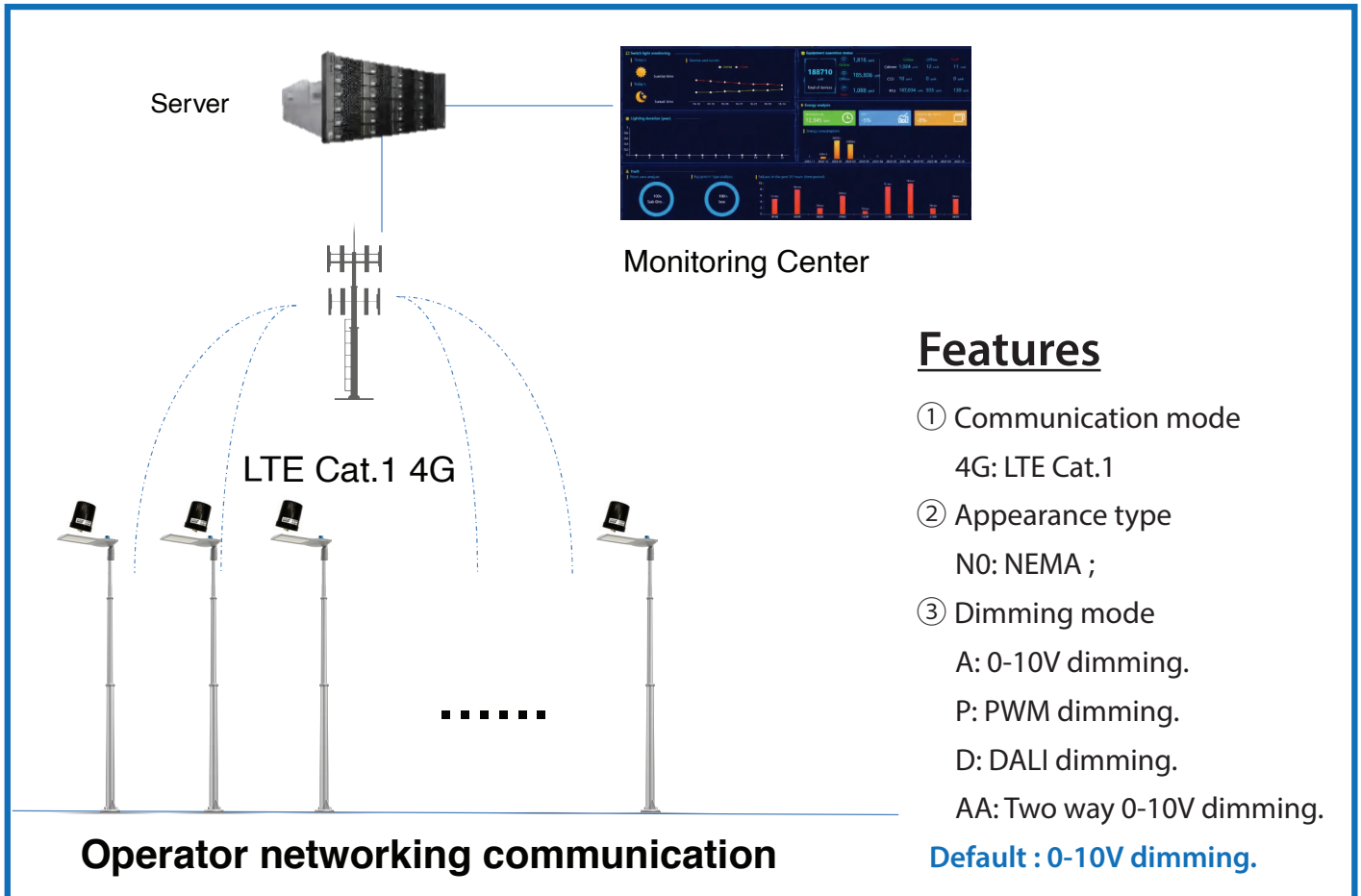


STREET LIGHT


Smart Lighting Solution





Option 4G : LTE Cat.1 Lighting Controller





Terminal Controller Advantage



- 

Multiple Networking Modes
The single-light controller can be networked using a variety of communication methods. For example, PLC (Power Carrier), PLC and RF433 Dual Mode, zigbee, LoRaWAN, 4G CAT.1 and other methods.
- 

Flexible light control mode
Remote lights on, off, dimming. Support single, partial, full loop and other control light mode, to meet the grouping, midnight light applications
- 

Luminaire real time data
Current, voltage, power, light duration and other data are fully collected..
- 

Real-time fault alarm notification
Support real-time autonomous alarm feedback push, including lamp open circuit, lamp overcurrent, lamp short circuit and other fault alarm

STREET LIGHT

Smart Lighting Solution



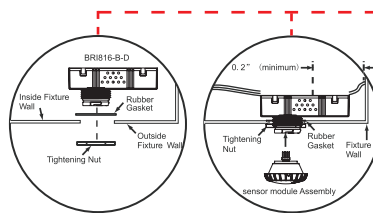
Option Microwave Sensor



Sensor Remote Programmer



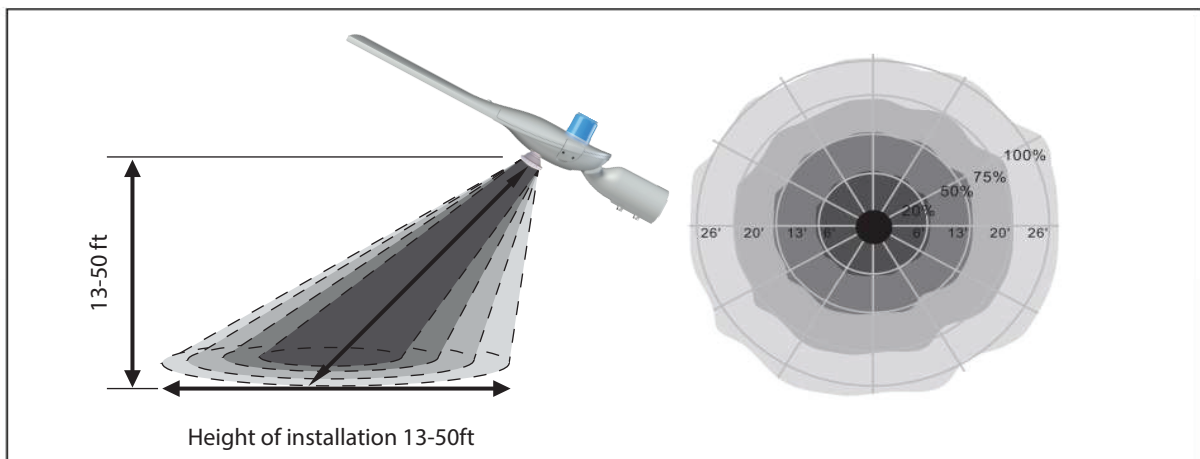
Microwave Sensor



Main Functions Microwave Sensor

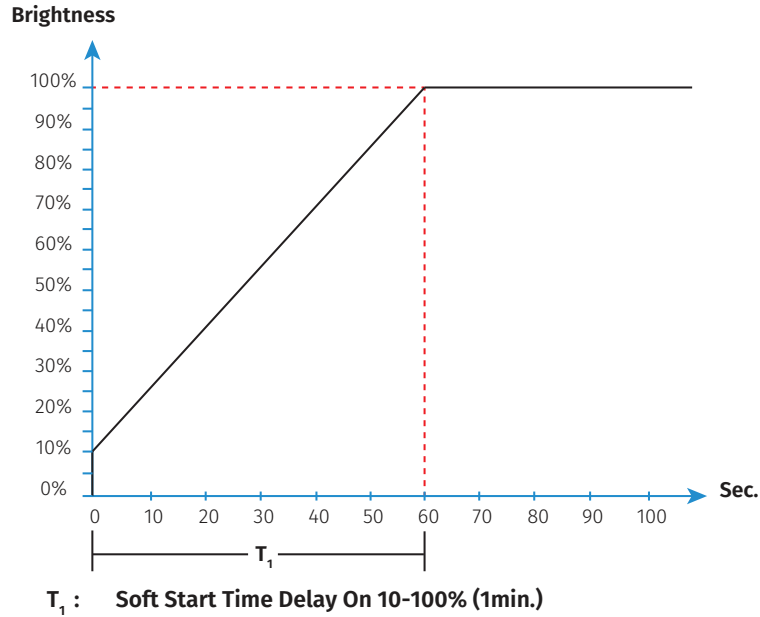
Dim Control Option	0-10V, Max. 25mA, Sinking Current
HF System	5.8GHz. +/- 75 MHz.
Mounting High	Max. 50ft (15 Meters)
Brightness Setting	70%, 80%, 90%, 100%
Detection Radius (Sensitivity)	20%, 50%, 75%, 100% (1-8M)
Hold Time Setting	10S, 1m, 5m, 10m, 15m (Dip Switch setting) 10S, 1m, 5m, 10m, 15m, 20m, 30m, 60m (Remote setting)
Daylight Sensor Setting	Light On (Lux) : 10, 30, 50 Light Off (Lux) : 100, 300, 500
Stand By Setting	Dim : 0%, 10%, 30%, 50% Time : +∞, 1m, 30m, 60m
Mode Selected	Mode1, Mode2, Mode3 and Mode4
IP Rating	IP65

SENSOR COVERAGE



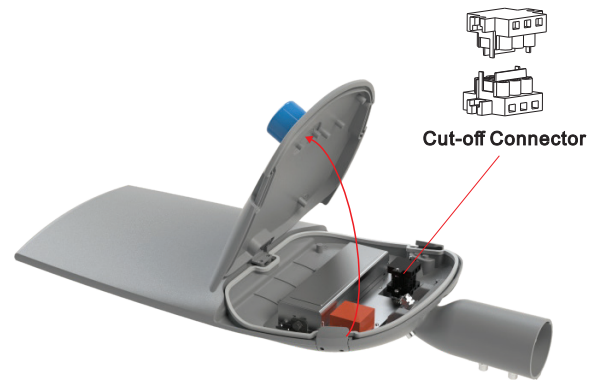
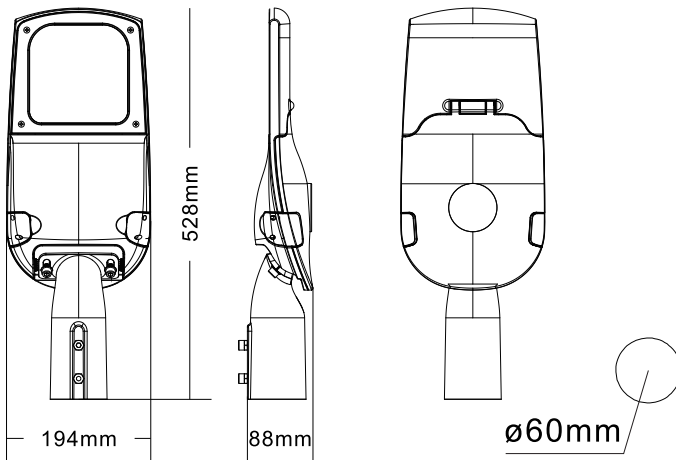
STREET LIGHT

Soft Start



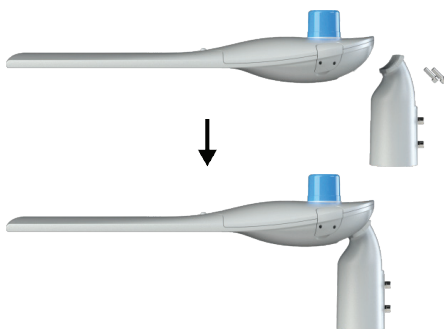
Dimension (mm.)

Model	Dimension (mm.)		
	(W)	(H)	(L)
WST-A30	194	88	528
WST-A38	194	88	528
WST-A40	194	88	528
WST-A50	194	88	528
WST-A60	194	88	528

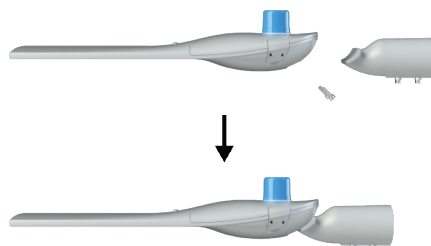


INSTALLATION METHOD

Two Installation Methods



Vertical installation



Horizontal installation

Large space for LED drivers