

# HIGH BAY



# HIGH BAY



มอก.902 เล่ม 2(1)-2563



TIS 1955 2551



Signature  
Designed by WIP

## VICTORIA SERIES

### Specification

The light shell is die-casting technology with excellent thermal management, reduces the temperature difference, and ensures the lumen depreciation. Integrated breather valve, balances the internal & external temperature and humidity. Ingress protection IP66. High-strength polycarbonate lens, achieves IK08, Anti-UV transmittance>94%. The High Bay lighting optic series comes with a 3 years warranty. It can be widely applied in Warehouse, Factory, Workshop, Plant, Supermarket, Gas Station, Highway Toll Station, Logistics center, indoors stadium light, underground parking lot, etc.

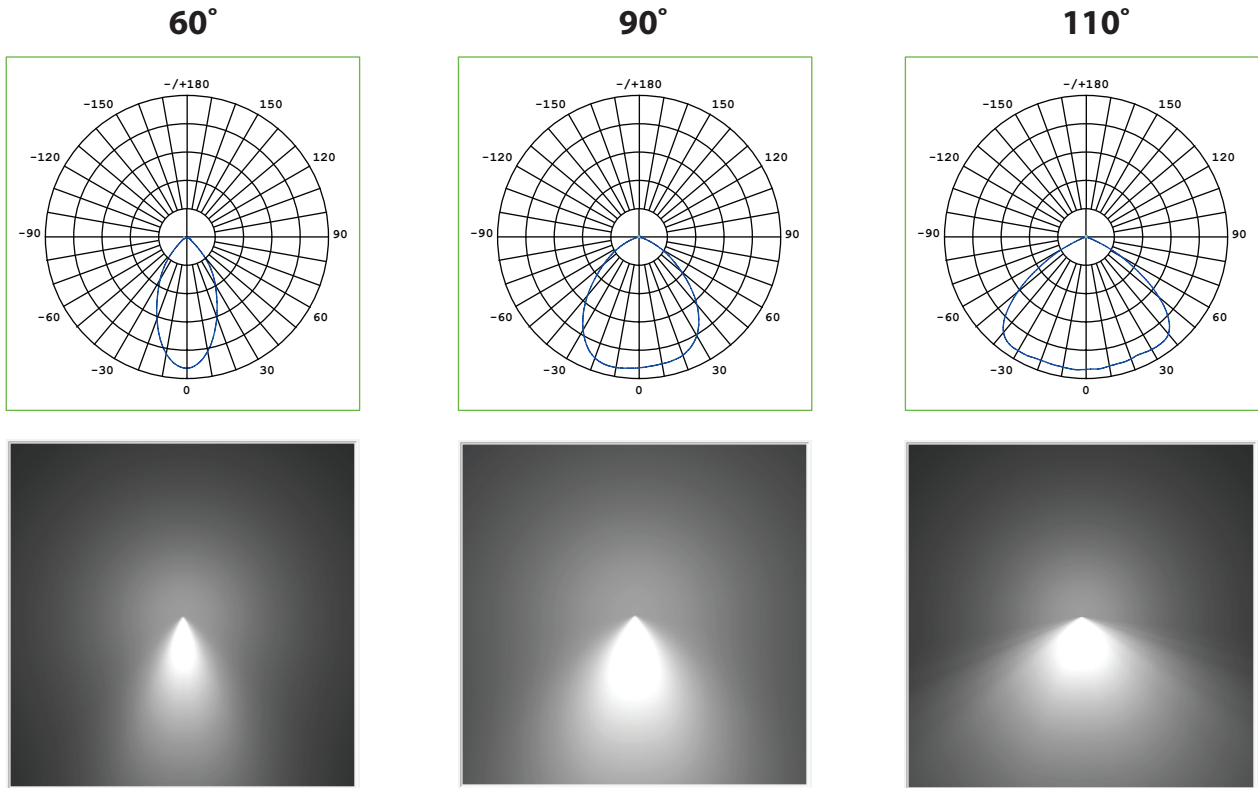
|                     |  |                  |  |                  |                        |
|---------------------|--|------------------|--|------------------|------------------------|
| Input Voltage       | 100-240Vac50/60Hz.   | Lens Material    | PC   | Housing          | Die-cast Aluminium     |
| Input Voltage Range | 100-305Vac50/60Hz.   | LED Light Source | Everlight  | Finishing        | Powder Coated in black |
| Power Factor        | >0.95  | CRI              | >80  | Gasket           | Silicone               |
| Work Temperature    | -10°C to + 65°C  | Driver           | Moso, Sosen  | Mount            | Hook                   |
| LED Life Time       | 50,000 hrs.  | Dimmable         | 3-in-1 isolated dimming:<br>0-10Vdc, PWM, Resistor | Surge Protection | 4kV                    |
| CCT                 | 3000K (Warm White), 4000K (Cool White),<br>5000K (Cool Daylight), 6500K (Daylight) |                  |  | IP Rating        | IP67                   |
|                     |  |                  |  | Warranty         | 3 Years                |

| Model    | Power (W) | Lumen Flux (lm) | Efficiency (lm/W) | Weight (Kg.) | Ø Diameter (mm.) | Standard |
|----------|-----------|-----------------|-------------------|--------------|------------------|----------|
| WV61-80  | 80        | 12,000          | 150               | 3.52         | Ø 218            |          |
| WV61-100 | 100       | 15,000          | 150               | 3.52         | Ø 218            |          |
| WV61-120 | 120       | 18,000          | 150               | 3.92         | Ø 306            |          |
| WV61-150 | 150       | 22,500          | 150               | 3.92         | Ø 306            |          |
| WV61-200 | 200       | 30,000          | 150               | 4.49         | Ø 306            |          |
| WV61-240 | 240       | 32,400          | 135               | 4.74         | Ø 306            |          |

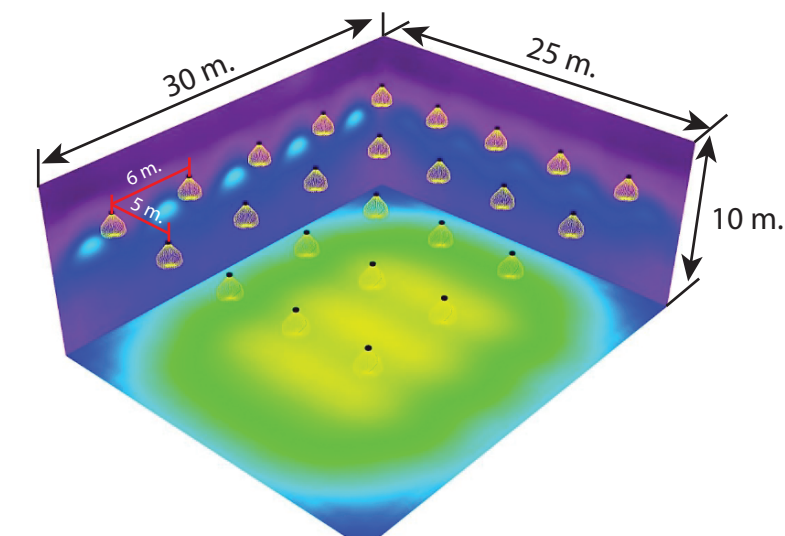
|                  |   |
|------------------|---|
| IEC/EN 55015     | Limits and methods of measurement of radio disturbance characteristics of electrical lighting and similar equipment |
| IEC/EN 60598-1   | General requirements and tests  |
| IEC/EN 60598-2-1 | Particular requirements. Section One : Fixed general purpose luminaires   |
| IEC/EN 61000-3-2 | Limits - Limits for harmonic current emissions  |
| IEC/EN 61000-3-3 | Limits - Limitation of voltage changes, voltage fluctuations and flicker in public low-voltage supply systems       |
| IEC/EN 61547     | Equipment for general lighting purposes - EMC immunity requirements   |
| IEC 62471        | Photobiological Safety of Lamp and lamp System  |
| IEEE 1789        | Recommended Practices for modulating Current in High brightness LEDs for Mitigating Health Risk to viewers          |
| CISPR 15         | Limits and methods of measurement of radio disturbance characteristics of electrical lighting and similar equipment |

# HIGH BAY

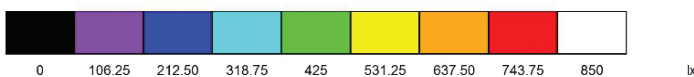
## LENS



## Simulation

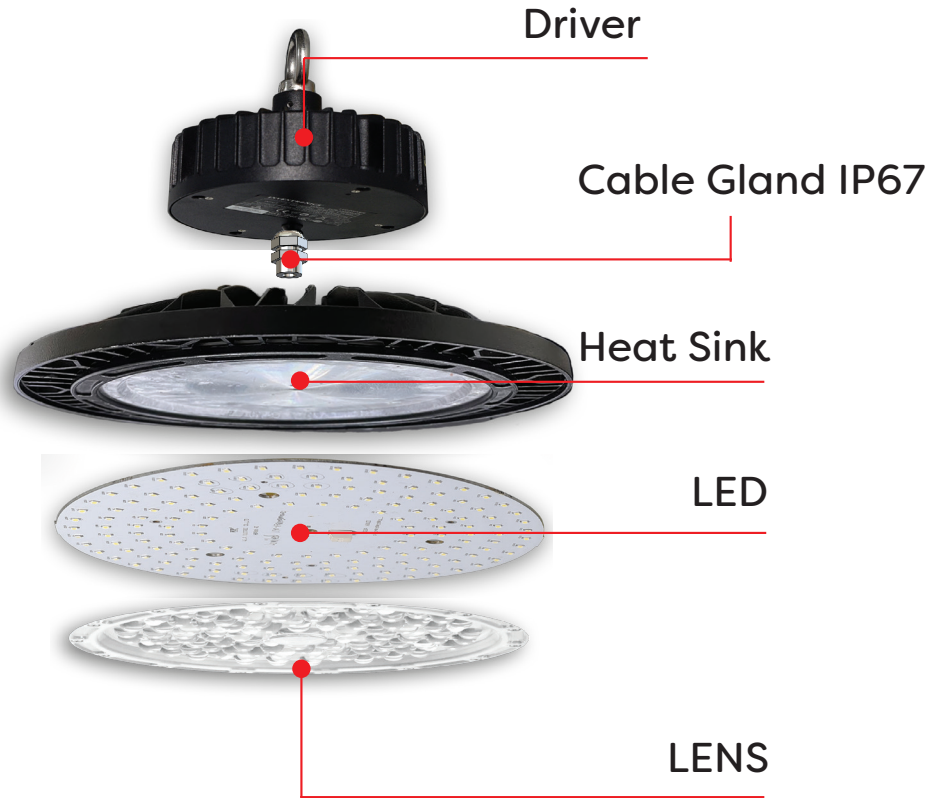


High Bay Victoria WV61-L90  
Mounting Height : 10 m  
Luminaire Wattage : 120W  
Lux on floor : Eva 409 lx  
Specific connected load :  
4.00 W/m<sup>2</sup> = 0.93 W/m<sup>2</sup>/100 lx  
(Ground area : 750.00 m<sup>2</sup>)



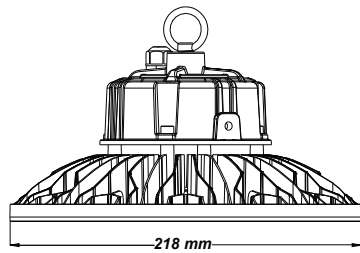
# HIGH BAY

## Assembly Parts

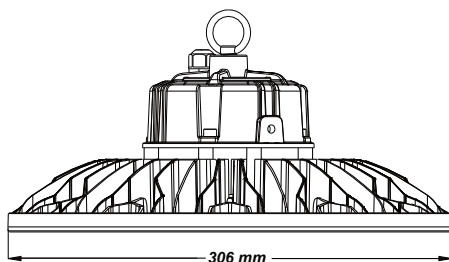


## Dimension (in mm.)

Type A



Type B



| Model    | Type | Ø Diameter (mm.) |
|----------|------|------------------|
| WV61-80  | A    | Ø 218            |
| WV61-100 | A    | Ø 218            |
| WV61-120 | B    | Ø 306            |
| WV61-150 | B    | Ø 306            |
| WV61-200 | B    | Ø 306            |
| WV61-240 | B    | Ø 306            |

# HIGH BAY

## Smart Lighting Solution

### Option Microwave Sensor



Sensor Remote Programmer

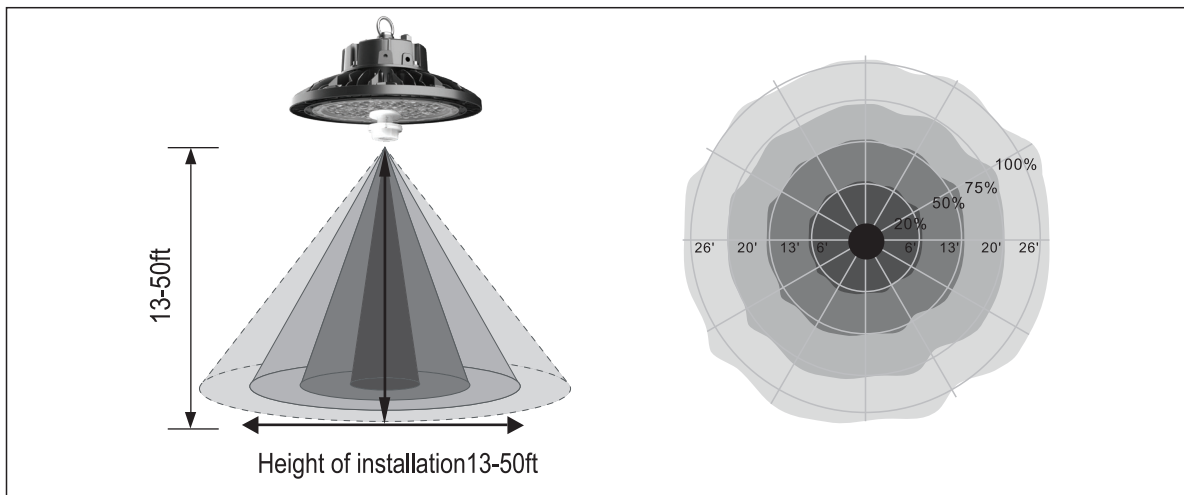


Microwave Sensor

#### Microwave Sensor (Option)

|                         |  |
|-------------------------|--|
| Dim Control Option      | 0-10V, Max. 25mA, Sinking Current  |
| HF System               | 5.8GHz. +/- 75 MHz.  |
| Transmission Power      | <0.2mW   |
| Mounting High           | Max. 50ft (15 Meters)  |
| Brightness Setting      | 70%, 80%, 90%, 100%  |
| Detection Radius        | 20%, 50%, 75%, 100%  |
| Hold Time Setting       | 10S, 1m, 5m, 10m, 15m, 20m, 30m, 60m   |
| Daylight Sensor Setting | <b>Light On</b> (Lux) : 10, 30, 50<br><b>Light Off</b> (Lux) : 100, 300, 500 |
| Stand By Setting        | <b>Dim</b> : 0%, 10%, 30%, 50%   |
| Mode Selected           | <b>Time</b> : +∞, 1m, 30m, 60m<br>Mode1, Mode2, Mode3 and Mode4              |

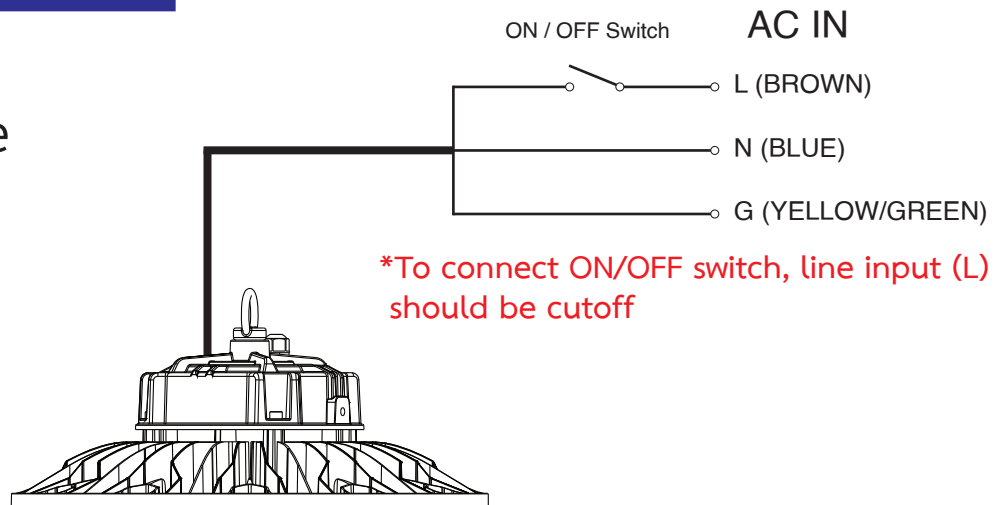
#### SENSOR COVERAGE



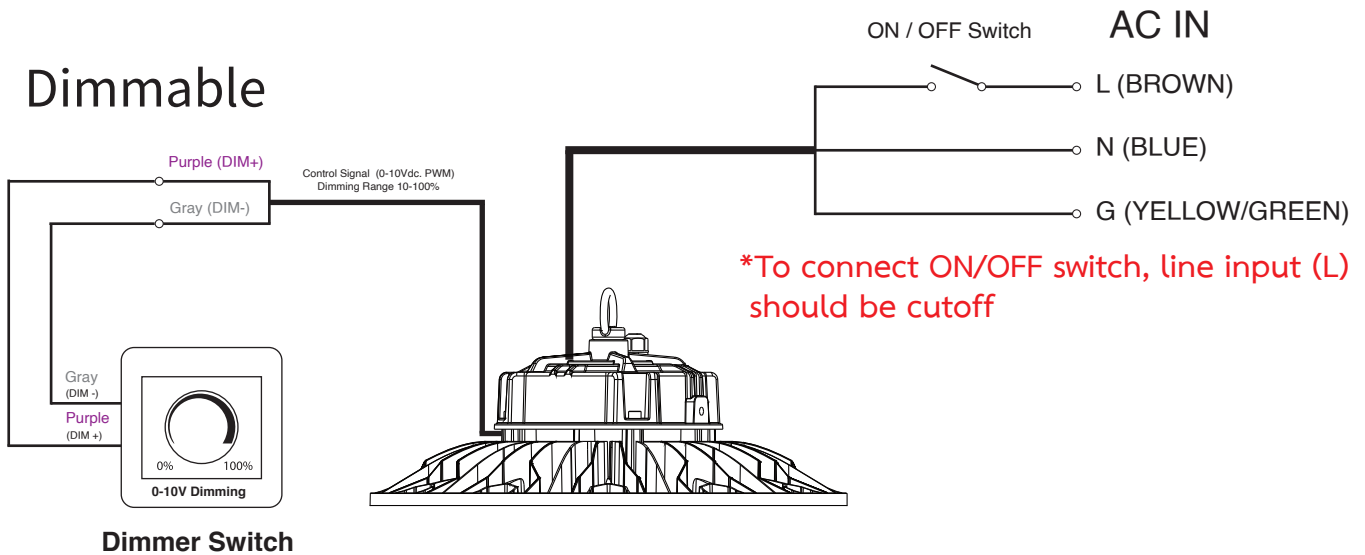
# HIGH BAY

## Wiring Connection

### Non Dimmable



### Dimmable



### Microwave Sensor

