

# STREET LIGHT



TIS. 1955-2551



TIS. 902 PART 2(3)-2557



Made in Thailand



*Signature  
Designed by WIP*



## A SERIES

### Specification

Street light A series manufactured from high quality die-casting aluminum. Rotatable installation arm design in both horizontal and vertical adjustable angles. IP66 waterproof for outdoor use. Higher lumen with well managed temperature between internal and external parts. Suitable for street, parking, park village, urban highway, etc.

Input Voltage	100-240Vac50/60Hz.	Lens Material	PC	Housing	Aluminium Die Casting
Input Voltage Range	100-305Vac50/60Hz.	LED Light Source	Lumileds, Everlight	Finishing	Powder Coated in grey
AC Input Terminal	Wire 3x1.0 (Length 60 Cm)	CRI	>70	Surge Protection	6kV
Power Factor	>0.95	CCT	2700K, 3000K, 4000K, 5000K, 6500K	Function Soft Start	1min.
Work Temperature	-10°C to + 65°C	Driver	Meanwell / Inventronics / Moso / Sosen	IP Rating	IP66
Beam Angle	70°/150°			Warranty	1 Year
LED Life Time	50,000 hrs.				

Model	Power (W)	Luminous Flux (lm)	Efficiency (lm/W)	Weight (Kg.)	Dimension (mm.)	Standard
WST-A30	30	4,050	135	1.52	210x535x108	
WST-A38	38	5,130	135	1.52	210x535x108	
WST-A40	40	5,400	135	1.52	210x535x108	
WST-A50	50	6,750	135	1.52	210x535x108	
WST-A60	60	8,100	135	1.80	210x535x108	

EVERLIGHT® INVENTRONICS



Products of Thailand

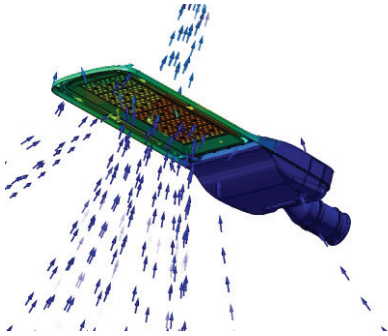
# STREET LIGHT

## Thermal management

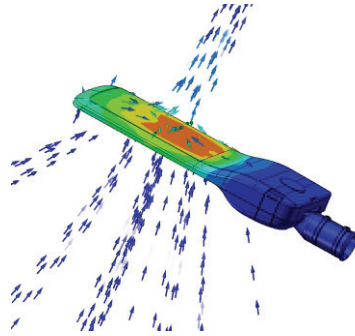


### Thermal Management

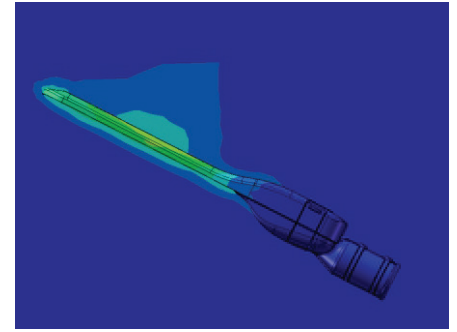
Structure is optimized by advanced FEA technology. Well managed temperature rise between internal and external parts. Even thermal distributions. Higher lumen maintenance rate.



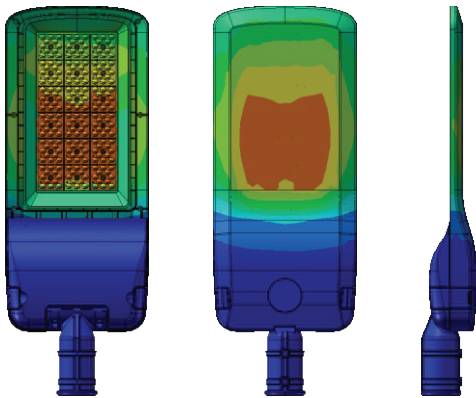
Thermal Air Convection



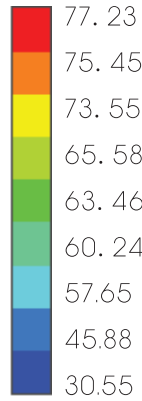
Thermal Air Convection



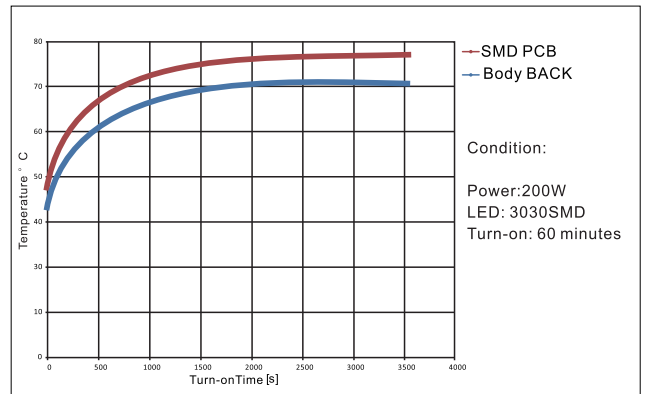
Thermal Effects to Air



Thermal Conductivity



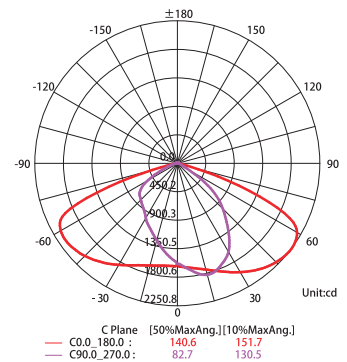
Unit : °C



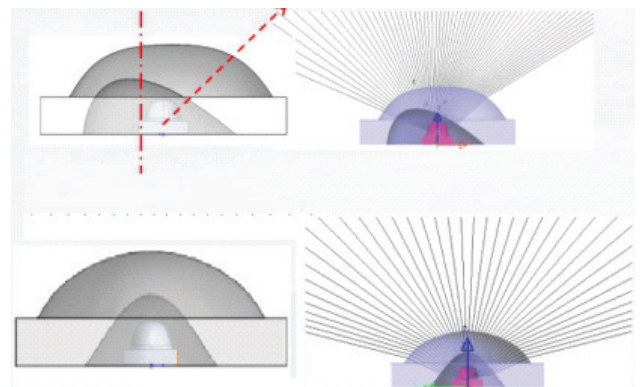
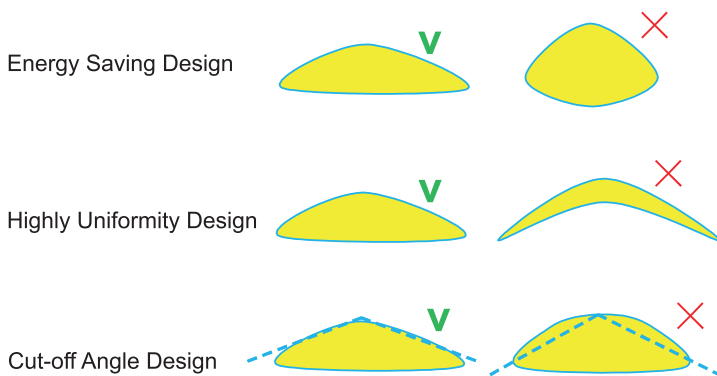
Temperature Rise

## Optic

Tech. Support: Tell us the room length, width, height and the usage. We have an engineer team to respond the DIALUX simulations for lights quantity calculation and effects. ies files are available upon request.

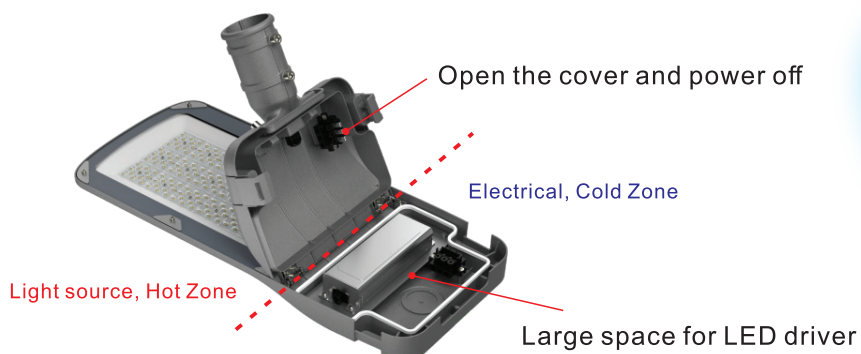
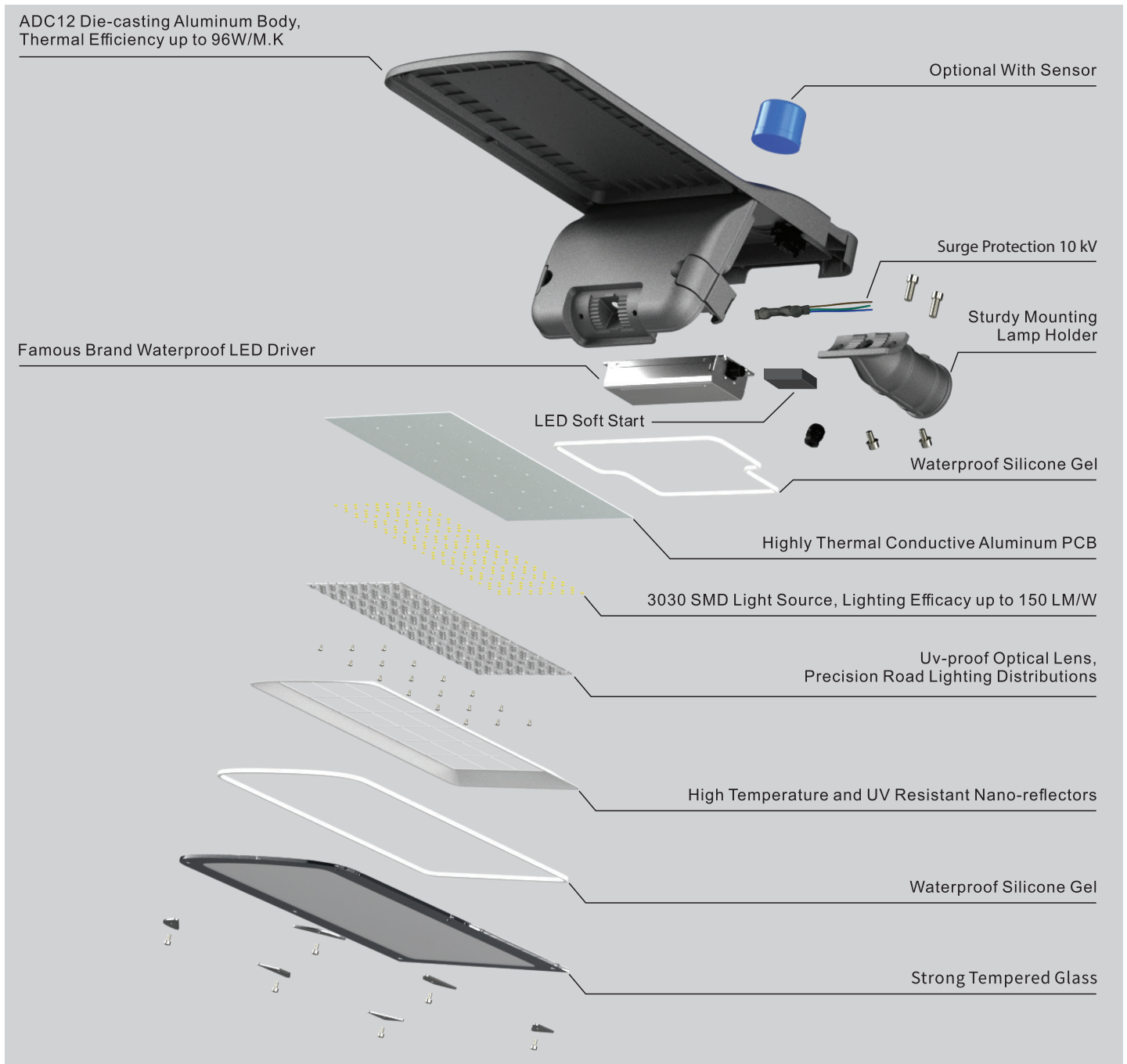


C plane lighting distributions

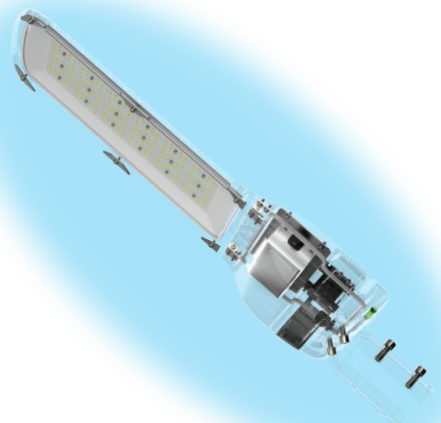


# STREET LIGHT

## Assembly Parts



Electrothermal separation structure



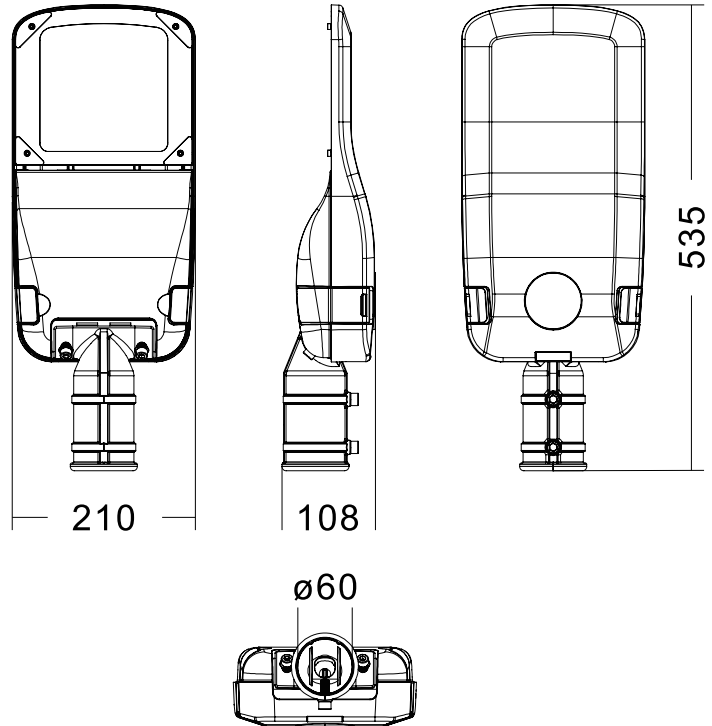
# STREET LIGHT

## Dimension (mm.)

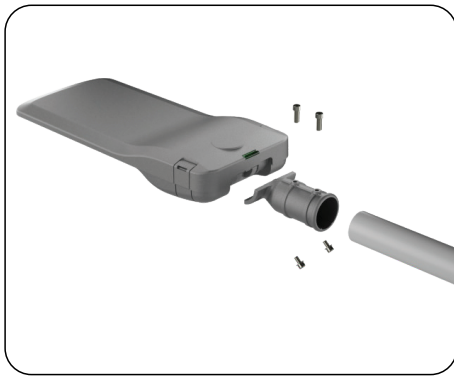


### 60mm SLEEVE DIAMETER 45° ROTATABLE DESIGN

The rotatable adjusting sleeve applies to more scenarios



## Installation

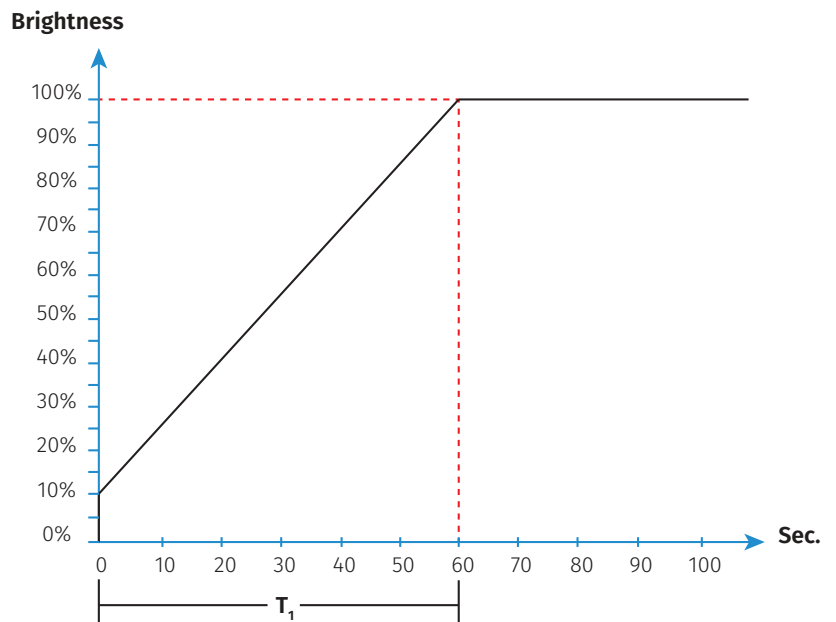


Horizontal installation



Vertical installation

## Soft Start



$T_1$  : Soft Start Time Delay On 10-100% (1min.)

