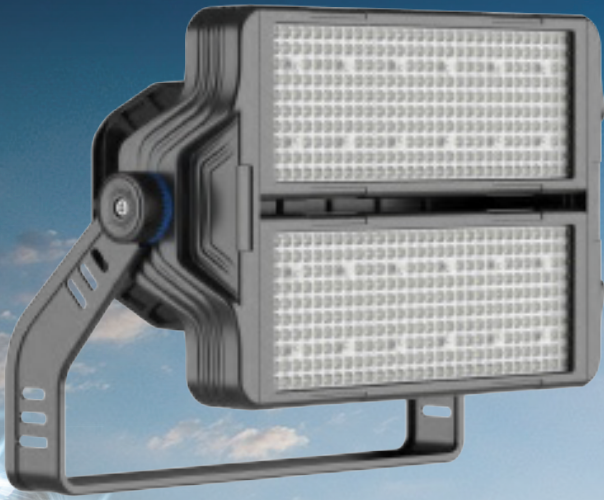


# THE LIGHT YOU CAN TRUST



## LED Sport & High Mast

# Arena I

400W - 1,800W



*Signature*  
Designed by WIP



NICHIA INVENTRONICS



MOSO



WWW.WIPELECTRIC.COM

Product of Thailand

## Arena I-400, Arena I-500, Arena I-600

### Specifications

#### Optical Data

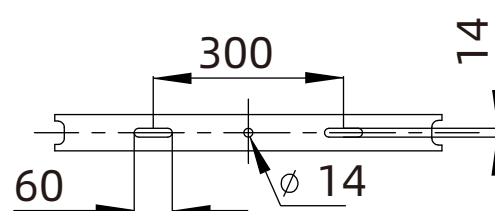
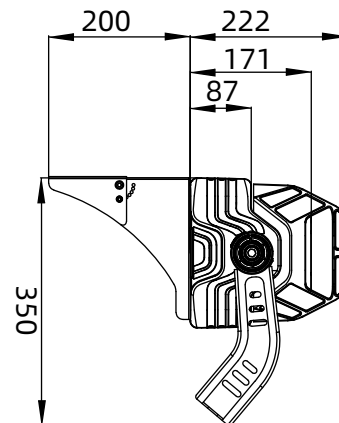
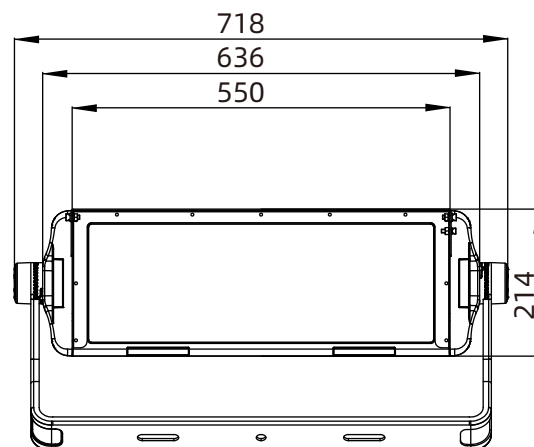
Power	400W/500W/600W
LED Chip	LUMILEDS/NICHIA
Luminous Efficacy	150-170lm/W
Luminous Flux	Refer to IES
CCT	3000K~6500K
Beam Angle	10°/20°/45°/60°/90°, asymmetric 60°
CRI(Ra)	70+/80+

#### Electrical Data

Driver	MW/Sosen/Inventronics/Moso
Input Voltage	100~240Vac 50/60Hz.
Power Factor	>0.95
Output Voltage	DC48V
Total Harmonic Distortion	<15%
Driver Efficiency	92%

#### Others

IP Rating	IP66
Light span	60,000Hrs
Housing	Die-cast aluminium
Face Cover	Tempered Glass
Fixture Size	718*422*350mm
Carton Size	760*260*370mm
Net weight	16Kg
Gross weight	18Kg
Corrosion rating	WF2



TIS 1955 2551



RoHS



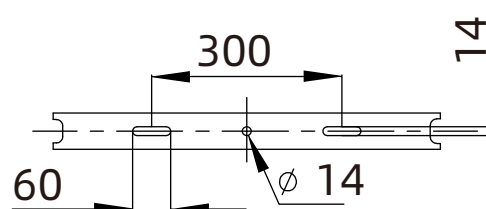
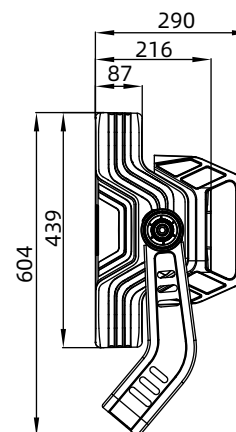
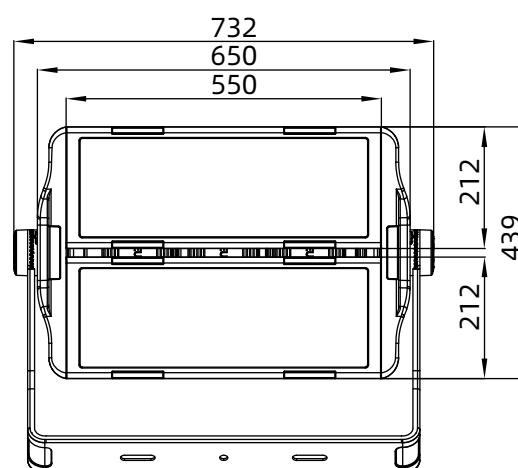
Green Industry

Products of Thailand





## Arena I-800, Arena I-1000, Arena I-1200



### Specifications

#### Optical Data

Power	800W/1000W/1200W
LED Chip	LUMILEDS/NICHIA
Luminous Efficacy	150-170lm/W
Luminous Flux	Refer to IES
CCT	3000K~6500K
Beam Angle	10°/20°/45°/60°/90°, asymmetric 60°
CRI(Ra)	70+/80+

#### Electrical Data

Driver	MW/Sosen/Inventronics/Moso
Input Voltage	100~240Vac 50/60Hz.
Power Factor	>0.95
Output Voltage	DC48V
Total Hermonic Distortion	<15%
Driver Efficiency	92%

#### Others

IP Rating	IP66
Light span	60,000Hrs
Housing	Die-cast aluminium
Face Cover	Tempered Glass
Fixture Size	730*290*604mm
Carton Size	770*330*604mm
Net weight	29Kg
Gross weight	33Kg
Corrosion rating	WF2



TIS 1955 2551



RoHS

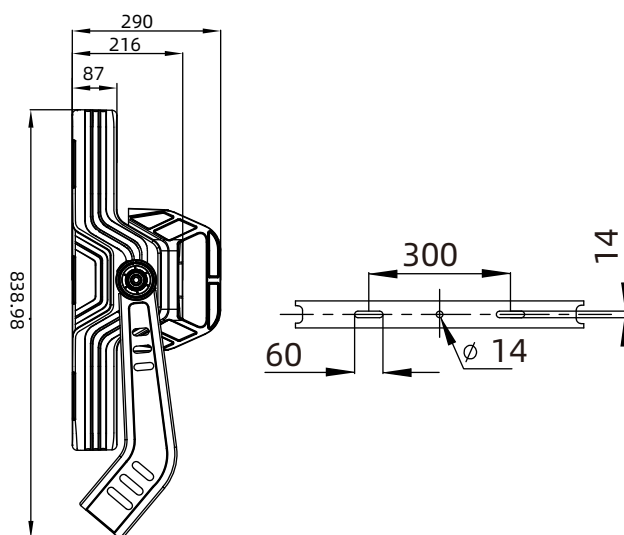
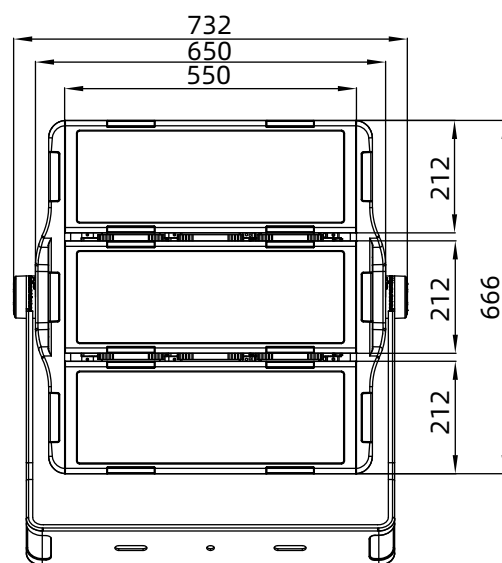


Green Industry

Products of Thailand



## Arena I-1500, Arena I-1800



### Specifications

#### Optical Data

Power	1500W/1800W
LED Chip	LUMILEDS/NICHIA
Luminous Efficacy	150-170lm/W
Luminous Flux	Refer to IES
CCT	3000K~6500K
Beam Angle	10°/20°/45°/60°/90°, asymmetric 60°
CRI(Ra)	70+/80+

#### Electrical Data

Driver	MW/Sosen/Inventronics/Moso
Input Voltage	100~240Vac 50/60Hz.
Power Factor	>0.95
Output Voltage	DC48V
Total Hermonic Distortion	<15%
Driver Efficiency	92%

#### Others

IP Rating	IP66
Light span	60,000Hrs
Housing	Die-cast aluminium
Face Cover	Tempered Glass
Fixture Size	732*290*839mm
Carton Size	770*330*880mm
Net weight	41Kg
Gross weight	45Kg
Corrosion rating	WF2



TIS 1955 2551



RoHS



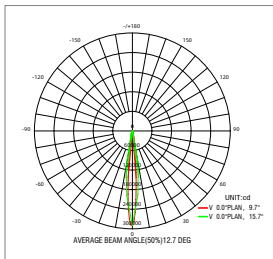
Green Industry

Products of Thailand

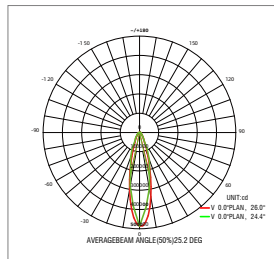




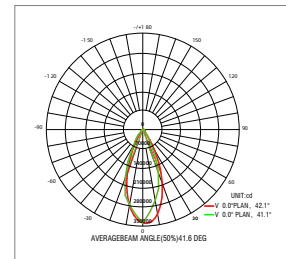
# Photometric Diagrams



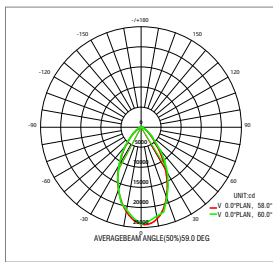
10°



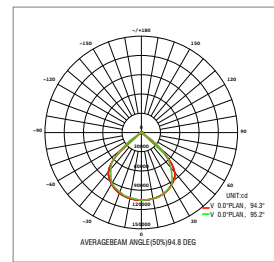
25°



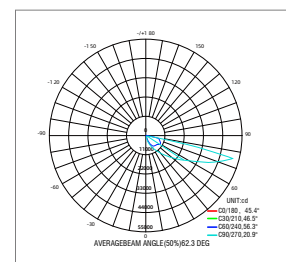
45°



60°

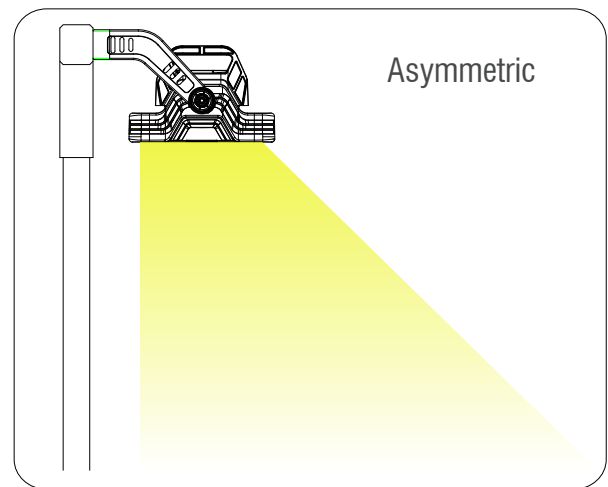
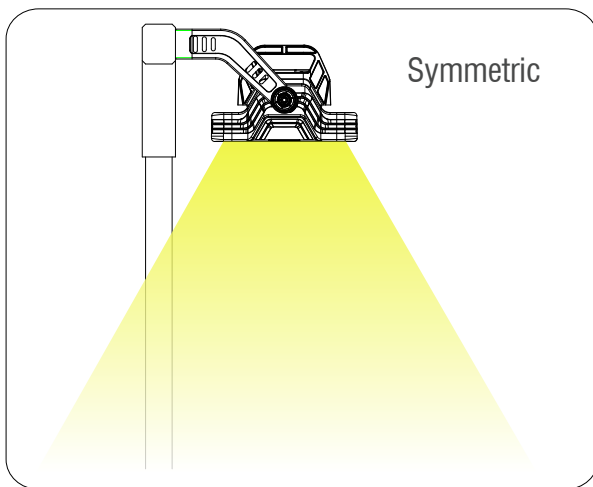


90°

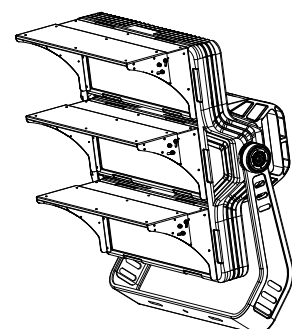
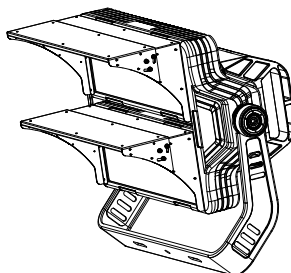
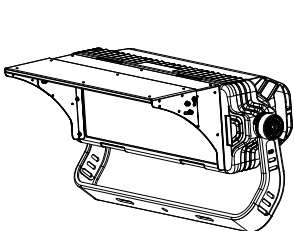


asymmetric 60°

## Light Pattern



## Spill Shield



# Application



Stadium



Golf Course



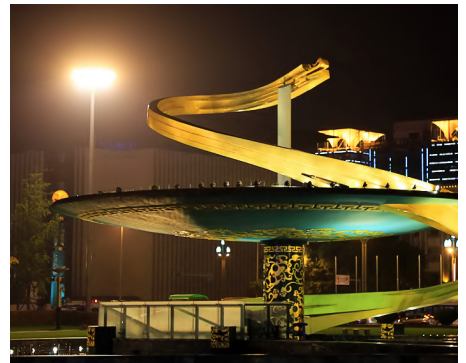
Sports Fields



Tennis Court

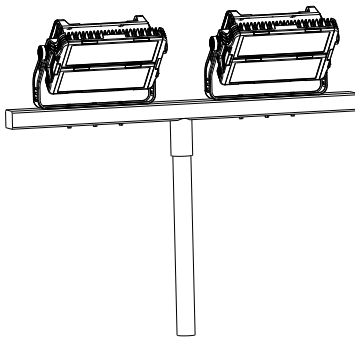


Airport

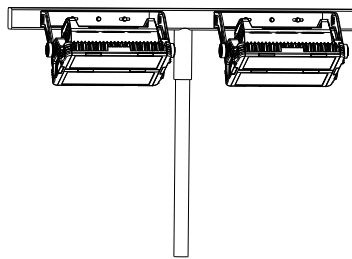


Plaza

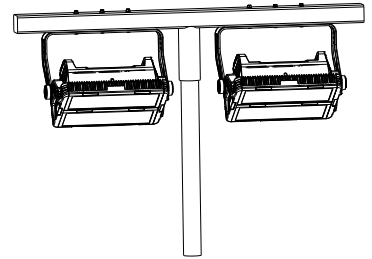
# Installation



Vertical

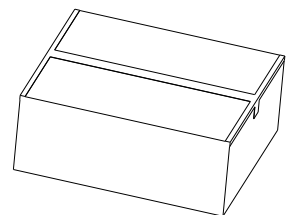
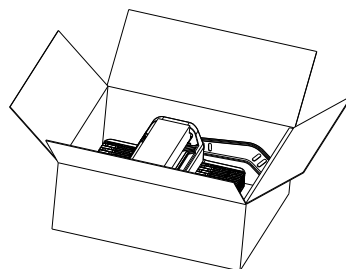
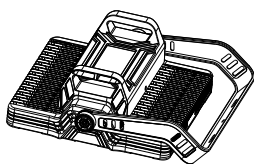


Horizontal



Suspended

# Package







CONTACT US



Wipelectric



@Wipintertrade



www.wipelectric.com



CS@wipelectric.com



+66 2525 8825

บริษัท ดับบลิว.ไอ.พี. อิเล็กทริค จำกัด  
W.I.P. ELECTRIC CO., LTD.

55/5 Moo 3, Lampho Soi 3, High Way No. 345, Lampho, Bangbuathong District, Nonthaburi 11110 THAILAND  
Tel. (+66)2-525-8825

