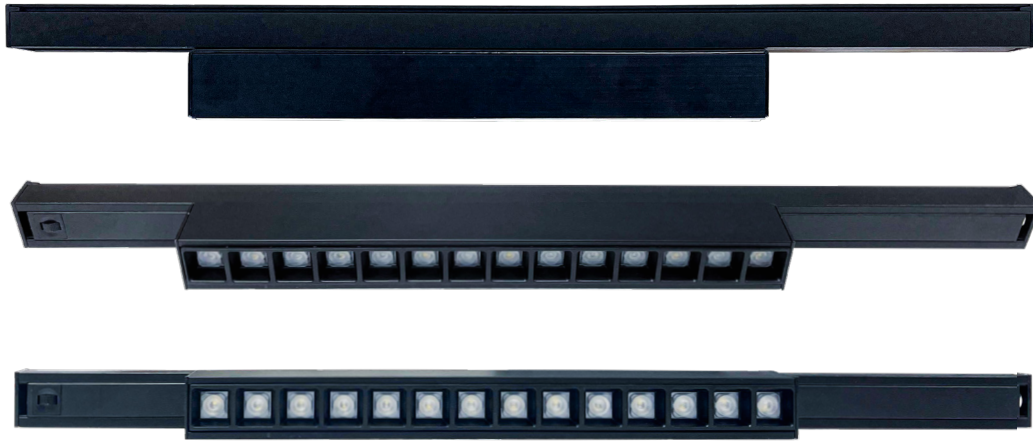


LED LINEAR MAGNETIC TRACK LIGHT



Signature
Designed by WIP

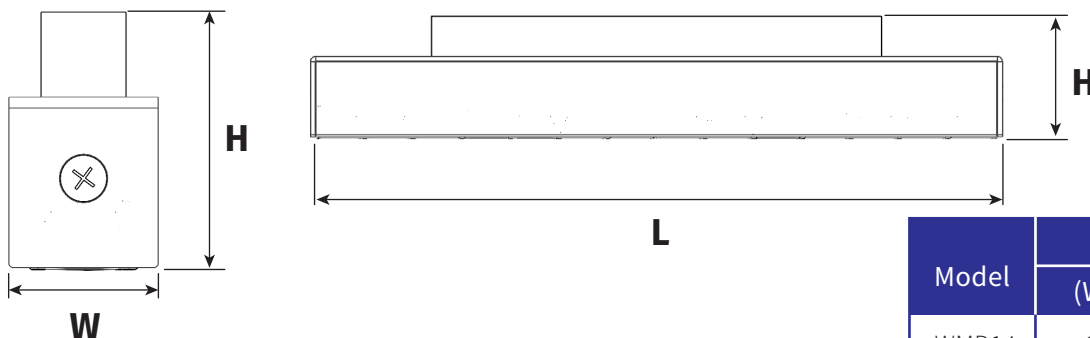
LED Linear Magnetic Track Light : Daisy Series

Specification

Input Voltage	24VDC	LED Light Source	Lumileds
Power	14W, 28W, 42W	LED Life Time	50,000 hrs.
CCT	1800K, 2000K, 2200K, 2700K, 3000K, 3500K, 4000K, 5000K, 6500K, 7000K, 7800K Tunable White	Work Temperature	-10°C to + 65°C
CRI	>80 (1800K-6500K) >90 (2700K-7800K)	Housing	AL profile
Lens Material	PMMA	Finishing	Powder Coated in black and white
Beam Angle	~30° wide beam, ~55° widebeam, ~65° widebeam	Mount	Rail Hanging
		Rail	Magnet Track Rail
		Warranty	1 Year

Model	Power (W)	Input Current	Luminous Flux (lm)	Efficiency (lm/W)	Weight (Kg.)	Dimension (mm.)
WMD14	14	0.583A	1,400	100	0.335	29x284x50
WMD28	28	1.167A	2,800	100	0.670	29x564x50
WMD42	42	1.750A	4,200	100	1.005	29x844x50

Dimension (in mm.)



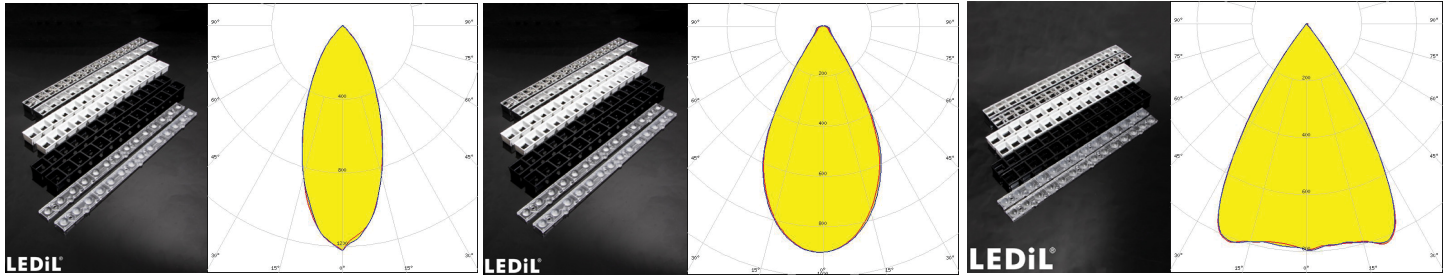
Model	Dimension (mm.)		
	(W)	(L)	(H)
WMD14	29	284	50
WMD28	29	564	50
WMD42	29	844	50



Products of Thailand

LED LINEAR MAGNETIC TRACK LIGHT

Beam Angle

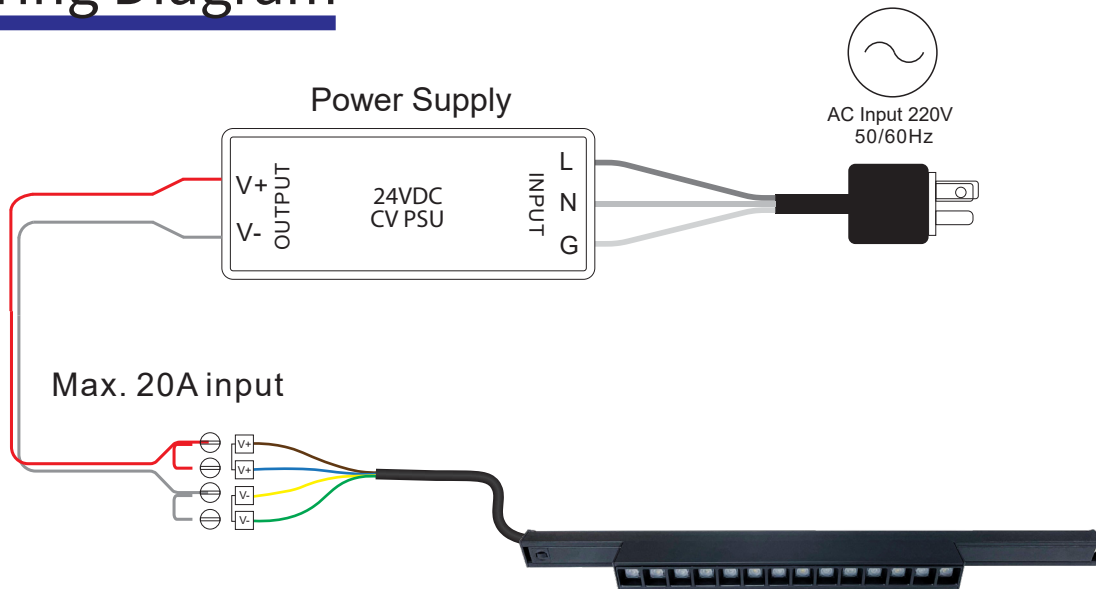


~30° wide beam

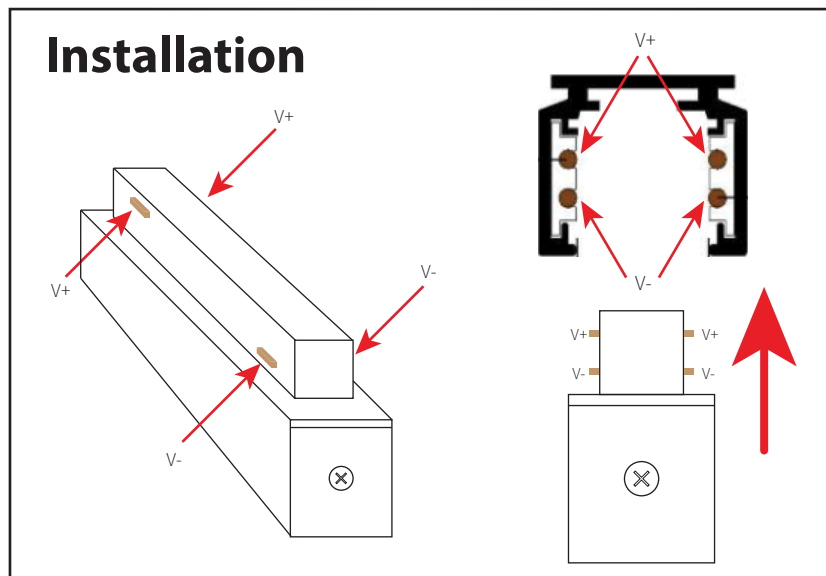
~55° wide beam

~65° wide beam

Wiring Diagram



Ledil

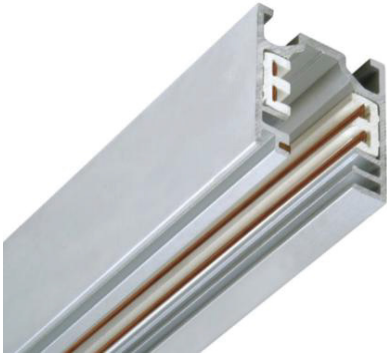
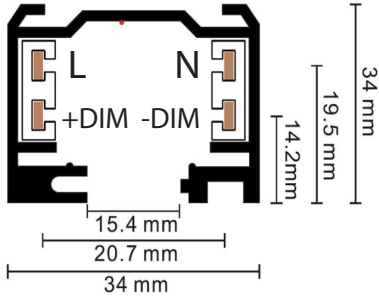



LED LINEAR MAGNETIC TRACK LIGHT

Accessories

4 Wires Track (Surface Mounted / Suspension)

(Single Circuit / 1-Phase) Aluminum Track Rail & Accessories

	Name: 4 Wires Track Light Rail	
	Model NO: T042	
	Shell Material: 2.5mm Aluminum	
	Conductor: 3.5*1mm Red Copper	
	Flame Retardant Grade: V1	
	Accessories: Feeder & End cap & Mounting Hardware be included	
	Package Size: 104*20*10cm(1m)	
	Qty: 10pcs/ctn	
	GW: 11kg/ctn (1m)	

	Name: Straight Connector		Name: Flexible Connector
	Model NO: T042-I		Model NO: T042-R
	Finish Color: Black /White		Finish Color: Black /White
	GW.: 0.04KG/PCS		GW.: 0.27KG/PCS
	Name: L Connector		Name: Hang Rope
	Model NO: T042-L		Model NO: T042-HR
	Finish Color: Black /White		Finish Color: Black /White
	GW.: 0.18KG/PCS		Length: 1m (Customize L) GW.: 0.18KG/PCS
	Name: T Connector		Name: Track Adapter Box
	Model NO: T042-T		Model NO: THB418
	Finish Color: Black /White		Finish Color: Black /White
	GW.: 0.27KG/PCS		GW.: 0.1KG/PCS
	Name: X Connector		Name: 4 wires Track
	Model NO: T042-X		Model NO: TH409
	Finish Color: Black /White		Finish Color: Black /White
	GW.: 0.31KG/PCS		GW.: 0.04KG/PCS



CONTROL SYSTEM



Option Bluetooth Control



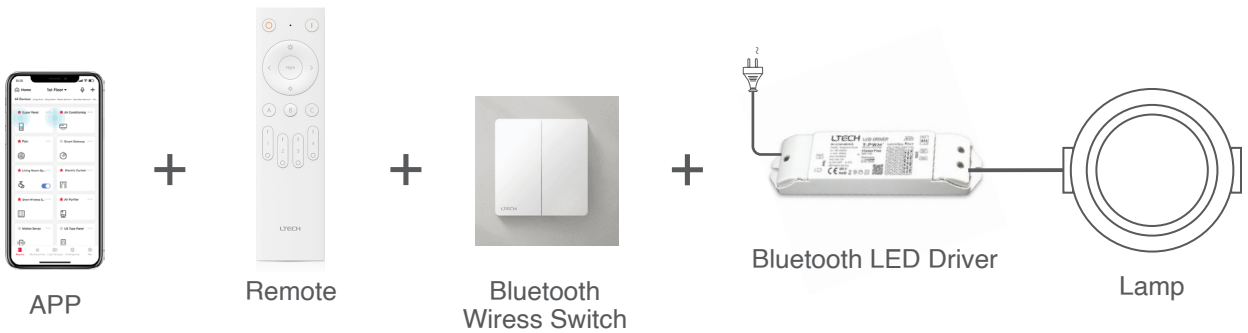
Bluetooth®

Multiple control modes for different applications

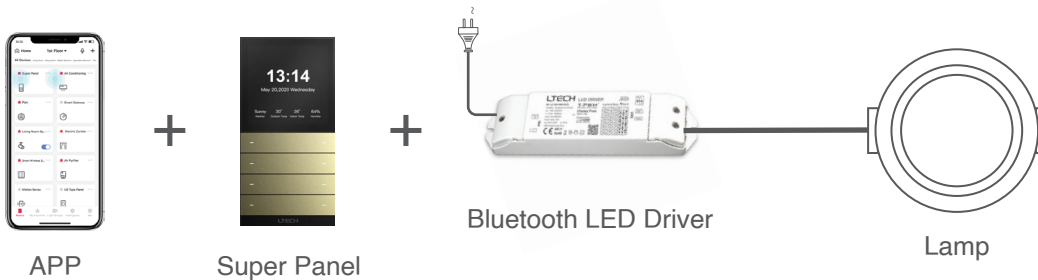
Realize fast dimming



Link up the remote with the LED driver via App to control the driver both by App and remote



Link up the Super Panel with the LED driver via App to control the driver both by App and Super Panel. Also connecting the Super Panel to network allows you to remotely control the driver, cloud scenes and automatic linkage



Products of Thailand

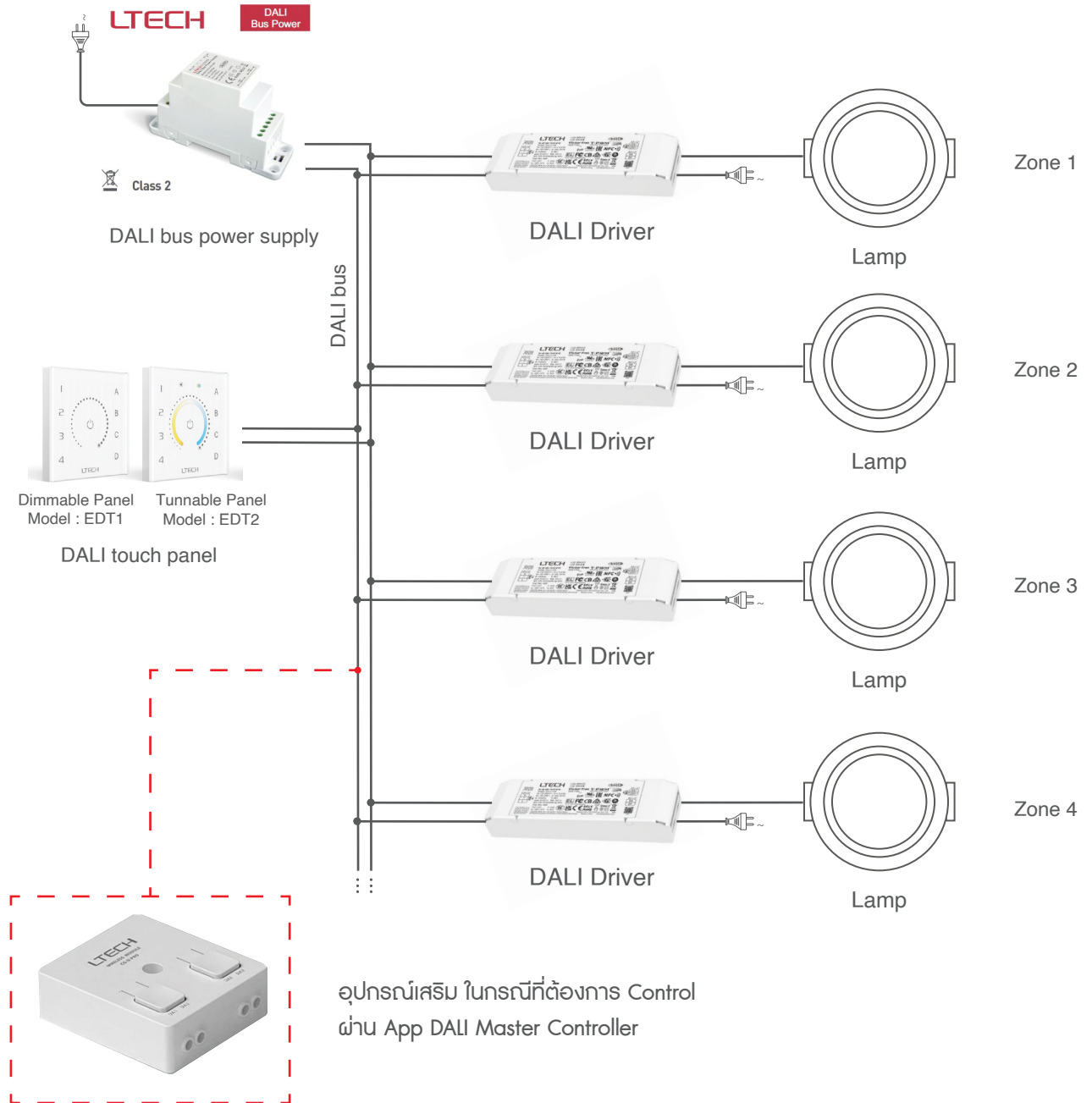
CONTROL SYSTEM



Option Dimmable / Tunable Control

DALI DIMMABLE / TUNABLE CONTROL SYSTEM

Wiring Diagram



Super LED Dimming Module 2.0
(DALI master controller)
Model : CG-D



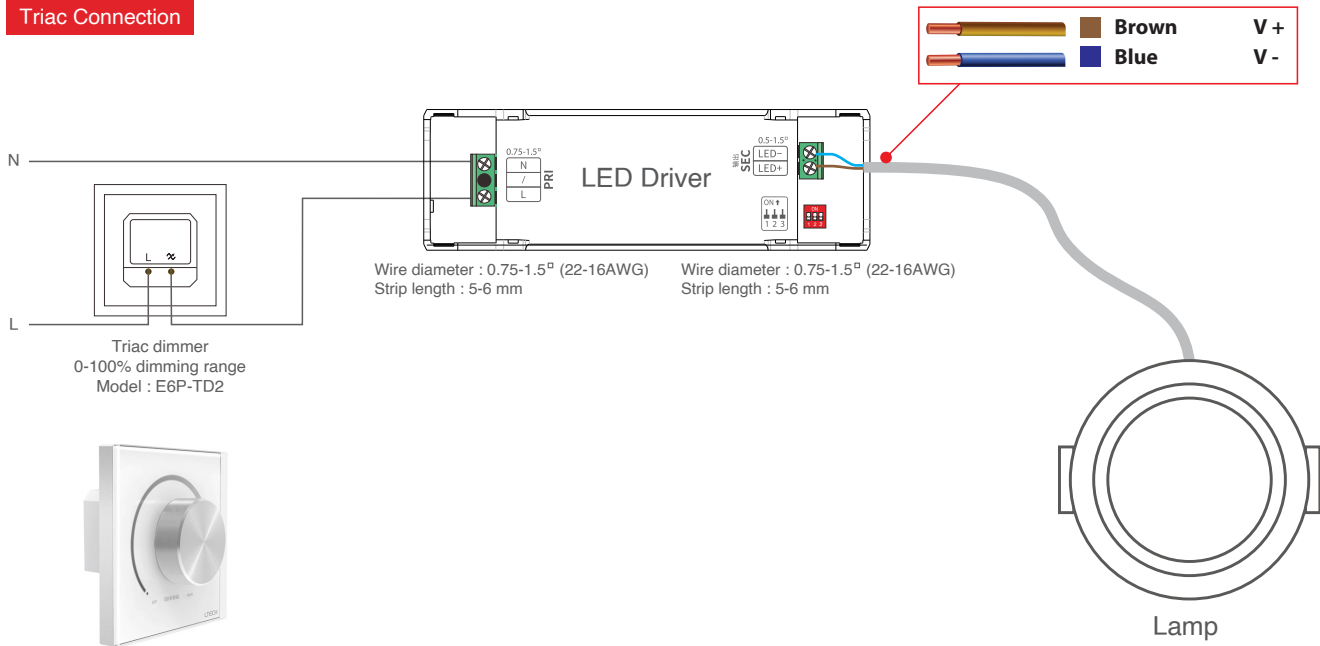
CONTROL SYSTEM



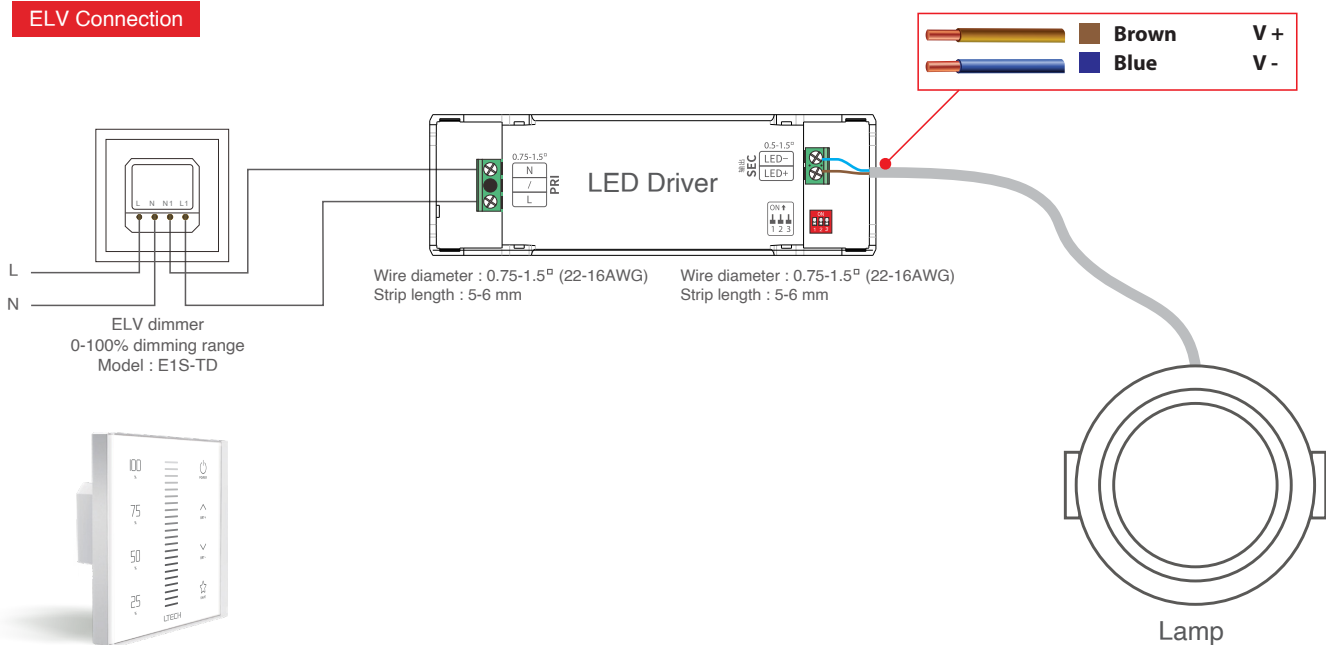
Option Dimmable Control

TRIAC DIMMABLE CONTROL

Triac Connection



ELV Connection



CONTROL SYSTEM



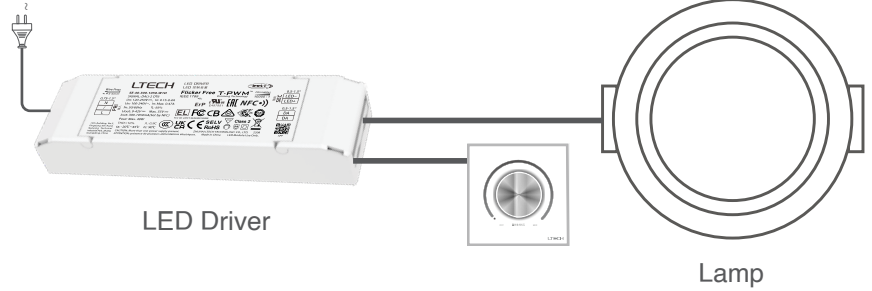
Option Dimmable / Tunable Control

0/1 - 10 DIMMABLE / TUNABLE CONTROL

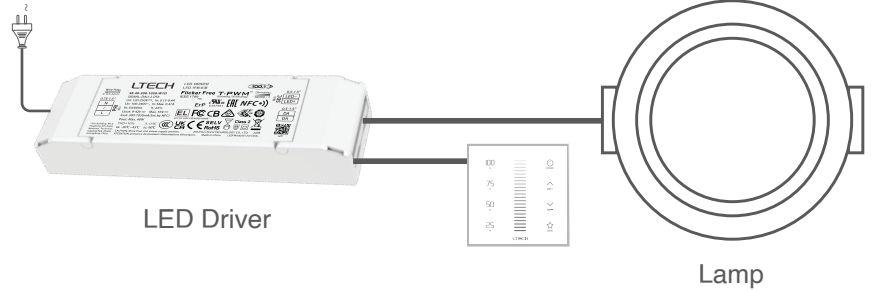
DIMMABLE



0-10V Dimmer
Model : E610P



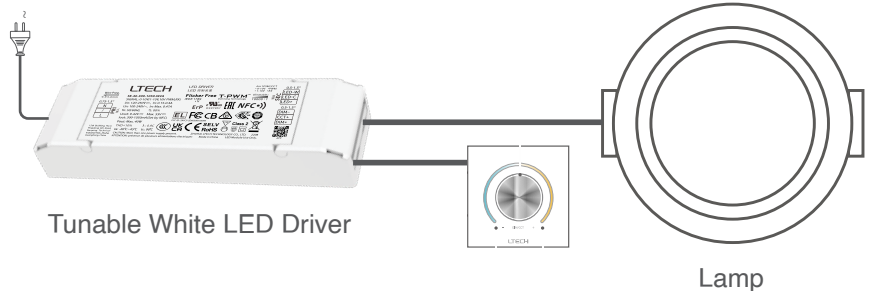
E1S-AD Series
Touch Panel (dimming)
Model : E1S-AD



TUNABLE



0-10V Tunable White
LED Dimmer
Model : E610P-CT



ECT2 CT Touch Panel
Model : ECT2

