

# HIGH CRI AND CLEAR WHITE COLOR LEDS



TIS.1955-2551  
TIS.2779-2562



*Signature*  
Designed by WIP

## HIGH LED T8 CLEAR WHITE

Specification	High CRI and Clear White LEDS Color				
Power Consumption	9W	14W	16W	18W	20W
Input Voltage	100-250 VAC 50/60 Hz.				
Light Source Flux (Lm)	1,350 Lm	2,100 Lm	2,400 Lm	2,700 Lm	3,000 Lm
Efficacy	150 Lm/W				
Power Factor	0.95				
Beam Angle	>150°				
Work Temperature	-10°C to + 65°C				
LED Life Time	50,000 hrs.				
LED Light Source	Nichia				
Color Rendering Index (CRI)	>90				
Color Temperature (CCT)	7800K				
Flicker	Flicker Free / Non				
Total Harmonic Distortion (THDi)	<10% / <15%				
Surge Protection	1 kV				
Length (in mm.)	600	1,200			
Dimension (in mm.)	28.5x588	28.5x1,198			
Total Weight (Kg.)	0.090	0.250			
Warranty	3 Years				

International Electrotechnical Commission - IEC	
IEC 55015 : Radio disturbance characteristics	IEC 61000-3-3 : Limitation of voltage
IEC 60061 : G13 Standard Dimension Test	IEC 61000-4-5 : Surge Protection
IEC 60529 : Ingress Protection	IEC 61195 : Compressive Strength
IEC 60598-1 : General Requirements and Tests	IEC 61547 : EMC : Conducted immunity
IEC 61000-3-2 : Harmonic Emission	IEC 62776 : Fault Condition
IEC 61347-2-13 : General and safety-Lamp System Short Circuit Protection	IEC 62471 : Photobiological safety of lamps and lamp systems

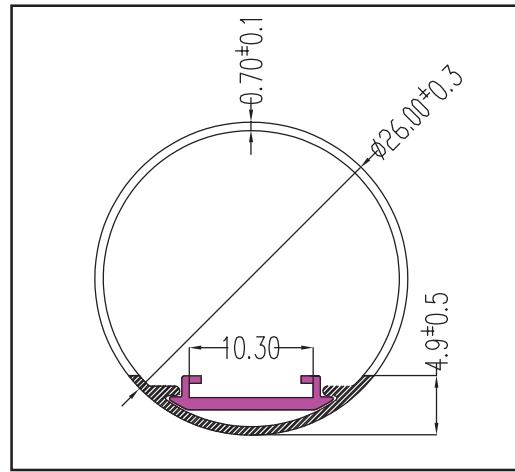


Products of Thailand

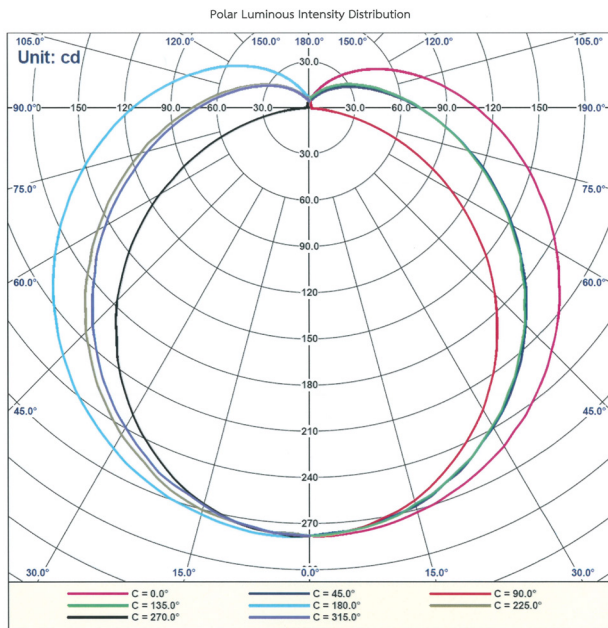
Rev : 7 Eff Date. 09/02/24

# ACCESSORIES

## TUBE



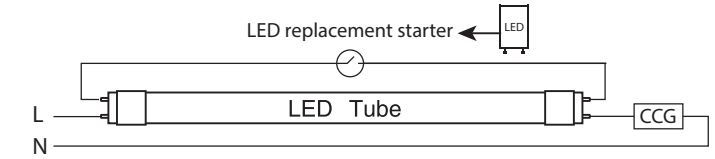
## BEAM ANGLE



Luminous intensity values are shown radially from centre. Elevation angle values are shown around the outside of the graph.

## WIRING DIAGRAM

### W1 Wiring Type Single end

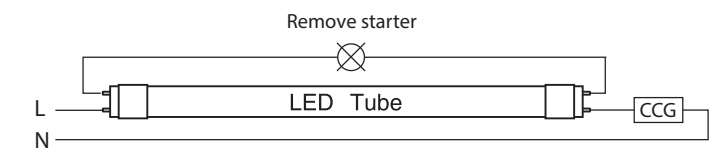


100-250VAC 50/60Hz.



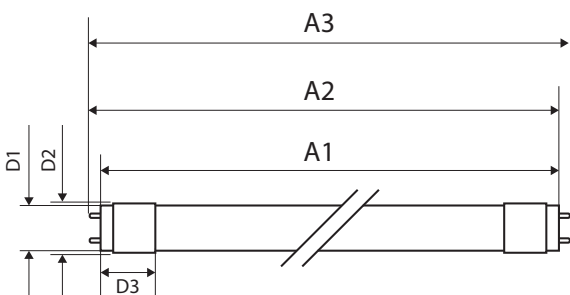
Single - end ไฟเข้า 1 ข้าง

### W2 Wiring Type Double end



Double - end ไฟเข้า 2 ข้าง

## DIMENSION



### Dimension (mm.)±1.0

Product	A1	A2	A3	D1	D2	D3
T8 18W	1198	1205	1212	26	28.5	47
T8 9W	588	595	602	26	28.5	47