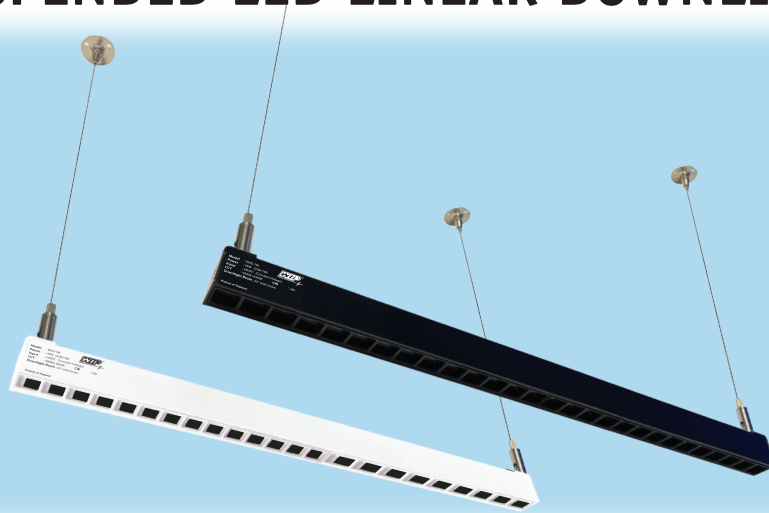


SUSPENDED LED LINEAR DOWNLIGHT



SUSPENDED LED LINEAR DOWNLIGHT



*Signature
Designed by WIP*

SUSPENDED LED LINEAR DOWNLIGHT

Specification

The aluminum extrusion of light shell, modern design, low power consumption and energy saving. The design has convenient installation, operation and maintenance also provided long life time usage. This is the perfect solution for premium class indoor lighting with seamless glare eliminating shade, accurate beam control or diffused lenses for smooth lighting and excellent color mixing. LED linear downlight different lighting levels are used to create a balanced effect throughout the space, contrast, mood and drama. Idea for department store, household, fashion, modern office, conference room, over kitchen counters, etc.

Input Voltage	42 VDC (Constant Current)	CRI	>80 (1800K-6500K)	Finishing	- Anodize in black matt
Work Temperature	-10°C to + 65°C		>90 (2700K-7800K)		- White matt
Beam Angle Down	30° wide beam , 55° wide beam, 65° wide beam	CCT	1800K, 2000K, 2200K, 2700K, 3000K, 3500K, 4000K, 5000K, 6500K, 7000K, 7800K,	Tube	Aluminium Extrude
LED Life Time	50,000 hrs.		Tunable Warm, Tunable White	Shade	- black matt - white matt
Lens Material	Polymethyl methacrylate (PMMA)	Glare Control	UGR <19	Mount	Suspension Cable
LED Light Source	Lumileds, Everlight	Driver	External Driver	Warranty	1 Year

Model	Power (W)	Luminous Flux (lm)	Efficiency (lm/W)	Weight (Kg.)	Dimension (mm.)
WSD-1M	7	700	100	0.583	29x285x31.5
WSD-2M	14	1,400	100	0.800	29x565x31.5
WSD-3M	21	2,100	100	1.017	29x845x31.5
WSD-4M	28	2,800	100	1.234	29x1125x31.5
WSD-5M	35	3,500	100	1.451	29x1406x31.5
WSD-6M	42	4,200	100	1.668	29x1687x31.5
WSD-7M	49	4,900	100	1.885	29x1967x31.5
WSD-8M	56	5,600	100	2.102	29x2247x31.5
WSD-9M	63	6,300	100	2.319	29x2527x31.5
WSD-10M	70	7,000	100	2.536	29x2807x31.5



EVERLIGHT®

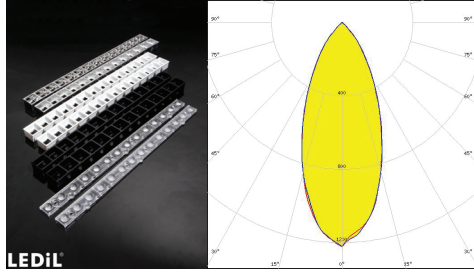


Products of Thailand

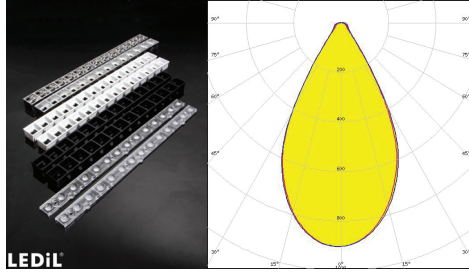
SUSPENDED LED LINEAR DOWNLIGHT

LENS

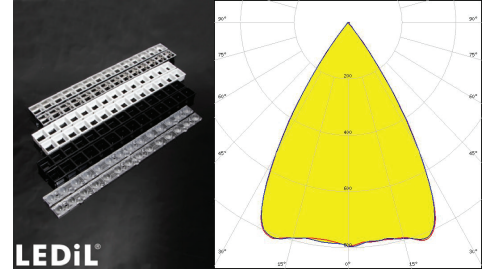
Downlight Lens



~30° wide beam



~55° wide beam

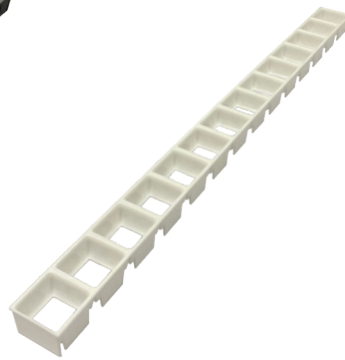


~65° wide beam

Shade



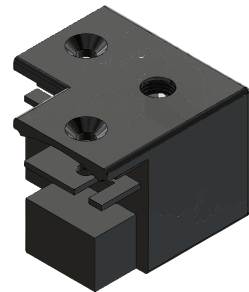
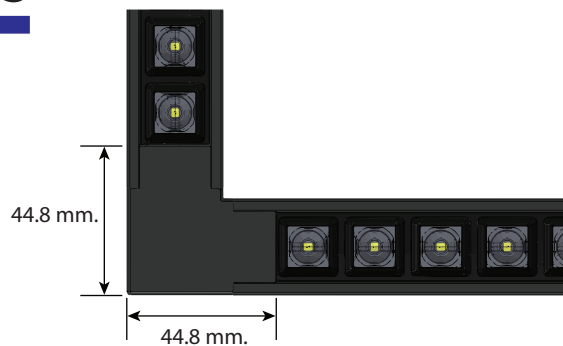
black matt



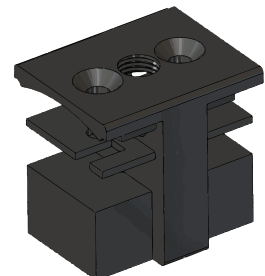
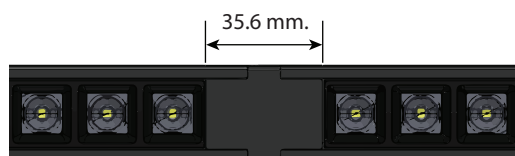
white matt

Accessories

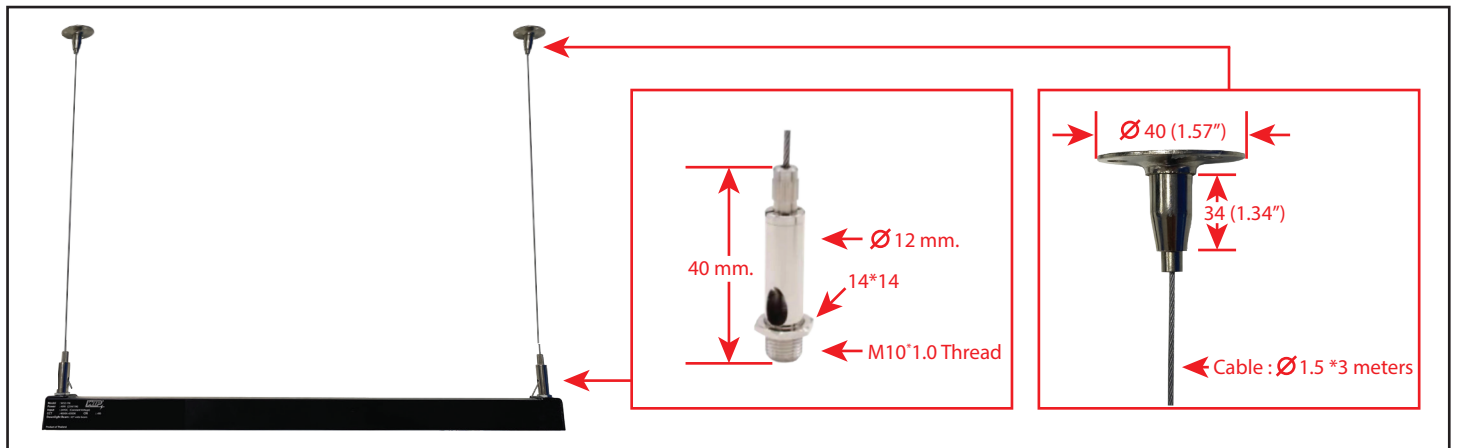
Connector 90



Connector 180



SUSPENDED LED LINEAR DOWNLIGHT



Dimension



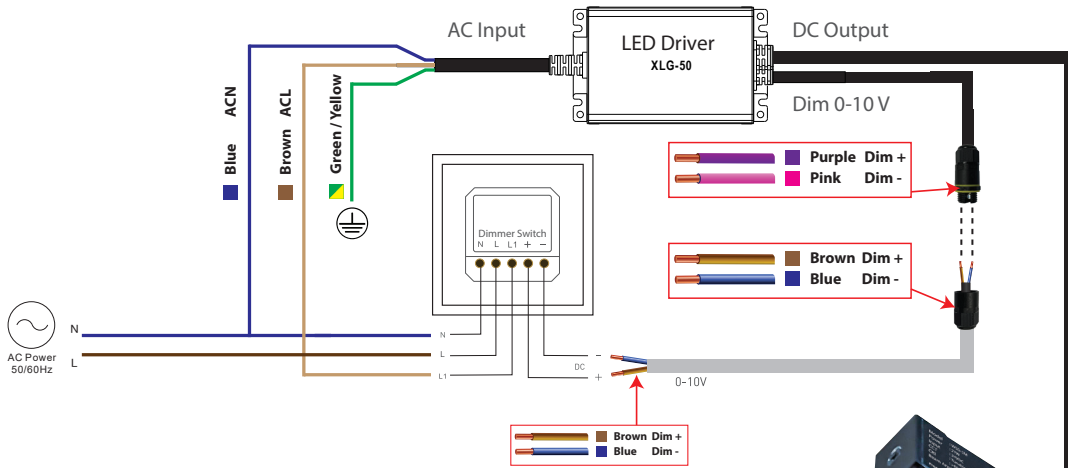
Model	Dimension (mm.)		
	(W)	(L)	(H)
WSD-1M	29	285	31.5
WSD-2M	29	565	31.5
WSD-3M	29	845	31.5
WSD-4M	29	1125	31.5
WSD-5M	29	1406	31.5
WSD-6M	29	1687	31.5
WSD-7M	29	1967	31.5
WSD-8M	29	2247	31.5
WSD-9M	29	2527	31.5
WSD-10M	29	2807	31.5

SUSPENDED LED LINEAR DOWNLIGHT

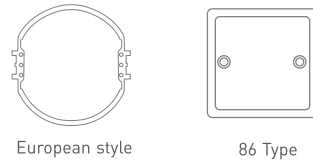
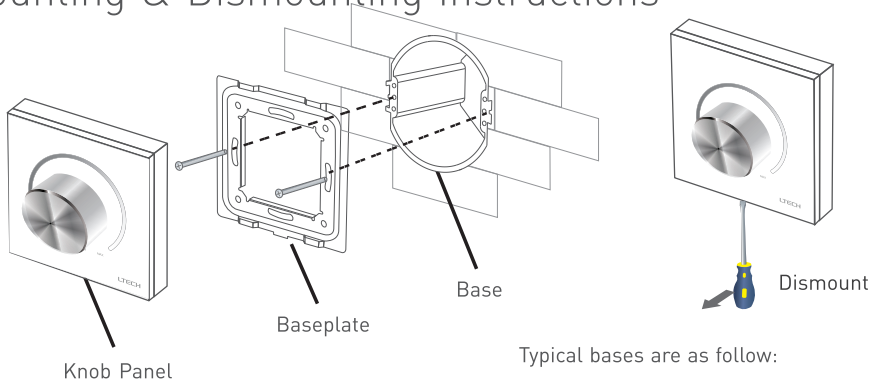
Wiring Diagram



Dimmable 0-10 V



Mounting & Dismounting Instructions



Product Size Unit: mm

