

LED TRACK LIGHT



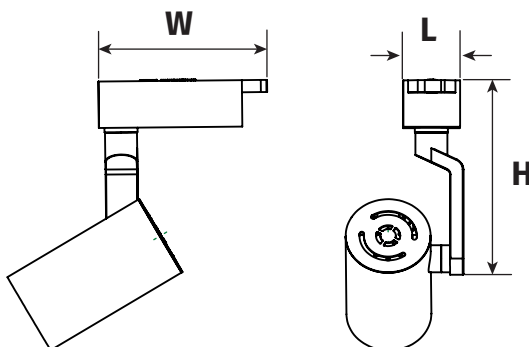
LED Track Light

Specification

Input Voltage	220-240Vac50/60Hz.	Lens Material	PMMA	Housing	Aluminium
Input Voltage range	120-277Vac50/60Hz.	Beam Angle	~15° spot beam ~26° spot beam ~36° wide beam ~60° widebeam	Finishing	Black and white Powder Coated
Power Factor	>0.90	LED Light Source	Citizen	Mount	Rail Hanging
THDi	<10%	CRI	>90	Rail	3 Wires Track Rail (Non-Dimmable) 4 Wires Track Rail (Dimmable)
Driver	Constant Current LED Driver	CCT	3000K (Warm White), 4000K (Cool White), 5000K (Cool Daylight)		
Dimming	PWM 0-10 and Triac Dimming	LED Life Time	50,000 hrs.		
Dimmable	Dimmable (On requirement)				
Work Temperature	-10°C to + 65°C				

Model		Power (W)	Input Current		Luminous Flux (lm)	Efficiency (lm/W)	Weight (Kg.)		Dimension (mm.)	
Non-Dim	Dimmable		Non-Dim	Dimmable			Non-Dim	Dimmable		
WSL-15	-	15	0.046A	-	1,725	115	0.70	-	153x52x176	-
WSL-20	WRL-20	20	0.091A	0.087A	2,300	115	0.70	1.10	153x52x176	240x75x200
WSL-30	WRL-30	30	0.137A	0.130A	3,450	115	0.70	1.10	153x52x176	240x75x200
WSL-40	-	40	0.182A	-	4,600	115	0.70	-	153x52x176	-

Dimension (in mm.)



Model	Dimension (mm.)		
	(W)	(L)	(H)
WSL	153	52	176
WRL	240	75	200

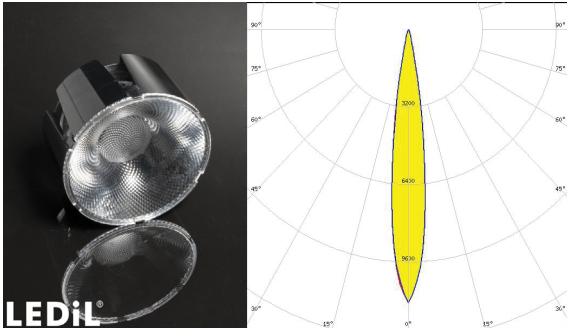


Products of Thailand

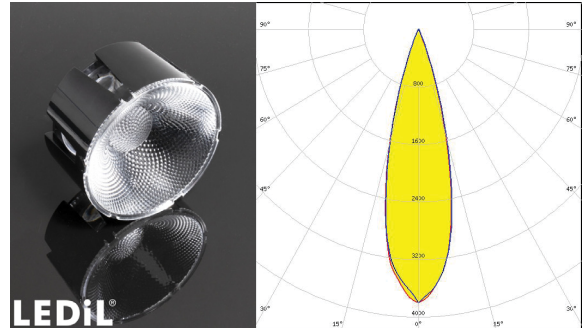
LED TRACK LIGHT

Beam Angle

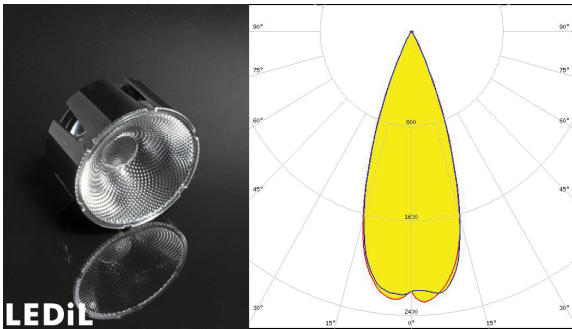
Beam Angle



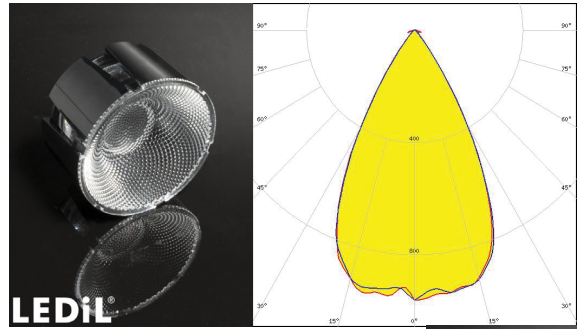
~15° spot beam



~26° spot beam

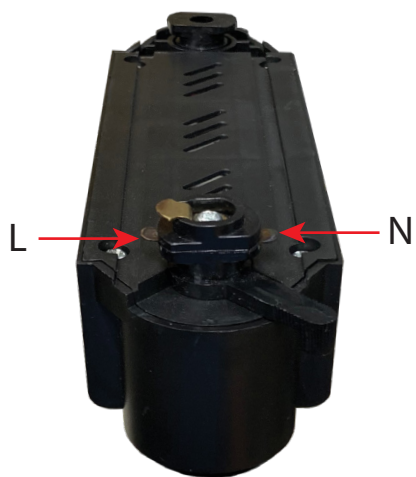


~36° wide beam

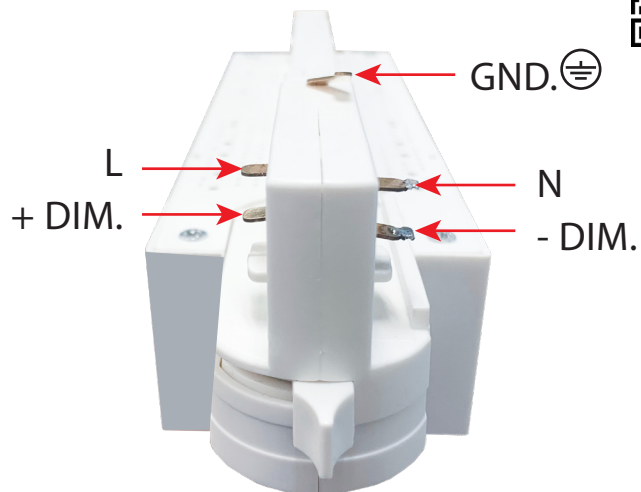


~60° wide beam

Wiring Diagram



Non-Dimmable
3 Wires Track



Dimmable
4 Wires Track

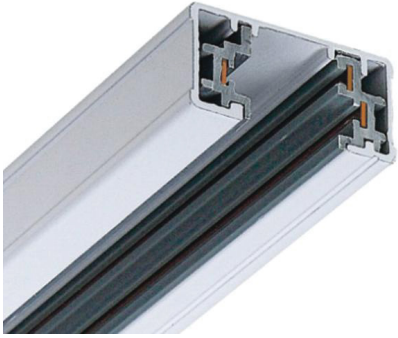
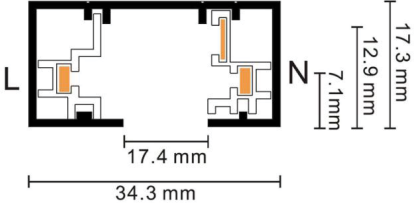






Ledil

LED TRACK LIGHT

Accessories

3 Wires Track (Surface Mounted / Suspension) (Single Circuit / 1-Phase) Aluminum Track Rail & Accessories

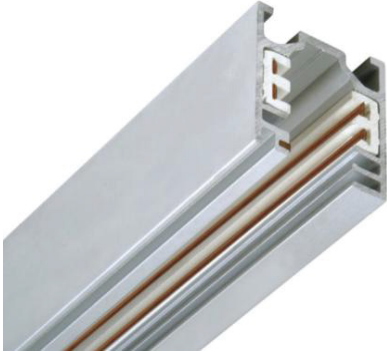
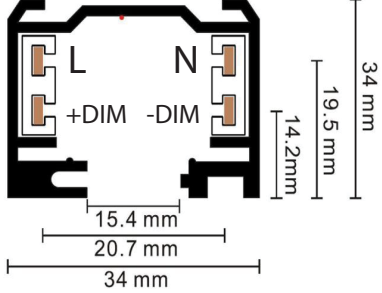


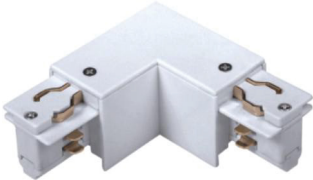





	<table border="1"> <tbody> <tr><td>Name: 3 Wires Track Light Rail</td></tr> <tr><td>Model NO: T031</td></tr> <tr><td>Shell Material: 1mm Aluminum</td></tr> <tr><td>Conductor: 3.8*0.8mm Cuprum</td></tr> <tr><td>Rated volt: AC250V / 10A</td></tr> <tr><td>Accessories: Feeder & End cap & Mounting Hardware are included</td></tr> <tr><td>Finish Color: Black /White</td></tr> <tr><td>Package: 104*20*10cm/20pcs/carton</td></tr> <tr><td>G.W: 11kg/carton (Length: 1m)</td></tr> <tr><td>Name: 3 Wires Track Light Rail</td></tr> <tr><td>Model NO: T032</td></tr> <tr><td>Shell Material: 0.8mm Aluminum</td></tr> <tr><td>Conductor: 3.8*0.5mm Cuprum</td></tr> <tr><td>Rated volt: AC250V / 7A</td></tr> <tr><td>GW: 8kg/ctn (1m)</td></tr> </tbody> </table>	Name: 3 Wires Track Light Rail	Model NO: T031	Shell Material: 1mm Aluminum	Conductor: 3.8*0.8mm Cuprum	Rated volt: AC250V / 10A	Accessories: Feeder & End cap & Mounting Hardware are included	Finish Color: Black /White	Package: 104*20*10cm/20pcs/carton	G.W: 11kg/carton (Length: 1m)	Name: 3 Wires Track Light Rail	Model NO: T032	Shell Material: 0.8mm Aluminum	Conductor: 3.8*0.5mm Cuprum	Rated volt: AC250V / 7A	GW: 8kg/ctn (1m)	
Name: 3 Wires Track Light Rail																	
Model NO: T031																	
Shell Material: 1mm Aluminum																	
Conductor: 3.8*0.8mm Cuprum																	
Rated volt: AC250V / 10A																	
Accessories: Feeder & End cap & Mounting Hardware are included																	
Finish Color: Black /White																	
Package: 104*20*10cm/20pcs/carton																	
G.W: 11kg/carton (Length: 1m)																	
Name: 3 Wires Track Light Rail																	
Model NO: T032																	
Shell Material: 0.8mm Aluminum																	
Conductor: 3.8*0.5mm Cuprum																	
Rated volt: AC250V / 7A																	
GW: 8kg/ctn (1m)																	
	<table border="1"> <tbody> <tr><td>Name: Straight coupler mini I</td></tr> <tr><td>Model NO: T031-I</td></tr> <tr><td>Finish Color: Black /White</td></tr> <tr><td>GW.: 0.04KG/PCS</td></tr> </tbody> </table>		Name: Straight coupler mini I	Model NO: T031-I	Finish Color: Black /White	GW.: 0.04KG/PCS											
Name: Straight coupler mini I																	
Model NO: T031-I																	
Finish Color: Black /White																	
GW.: 0.04KG/PCS																	
	<table border="1"> <tbody> <tr><td>Name: T coupler</td></tr> <tr><td>Model NO: T031-T</td></tr> <tr><td>Finish Color: Black /White</td></tr> <tr><td>GW.: 0.1KG/PCS</td></tr> </tbody> </table>		Name: T coupler	Model NO: T031-T	Finish Color: Black /White	GW.: 0.1KG/PCS											
Name: T coupler																	
Model NO: T031-T																	
Finish Color: Black /White																	
GW.: 0.1KG/PCS																	
	<table border="1"> <tbody> <tr><td>Name: L coupler</td></tr> <tr><td>Model NO: T031-L</td></tr> <tr><td>Finish Color: Black /White</td></tr> <tr><td>GW.: 0.06KG/PCS</td></tr> </tbody> </table>		Name: L coupler	Model NO: T031-L	Finish Color: Black /White	GW.: 0.06KG/PCS											
Name: L coupler																	
Model NO: T031-L																	
Finish Color: Black /White																	
GW.: 0.06KG/PCS																	
	<table border="1"> <tbody> <tr><td>Name: X coupler</td></tr> <tr><td>Model NO: T031-X</td></tr> <tr><td>Finish Color: Black /White</td></tr> <tr><td>GW.: 0.13KG/PCS</td></tr> </tbody> </table>		Name: X coupler	Model NO: T031-X	Finish Color: Black /White	GW.: 0.13KG/PCS											
Name: X coupler																	
Model NO: T031-X																	
Finish Color: Black /White																	
GW.: 0.13KG/PCS																	

LED TRACK LIGHT

Accessories

4 Wires Track (Surface Mounted / Suspension)

(Single Circuit / 1-Phase) Aluminum Track Rail & Accessories

	Name: 4 Wires Track Light Rail		
	Model NO: T042		
	Shell Material: 2.5mm Aluminum		
	Conductor: 3.5*1mm Red Copper		
	Flame Retardant Grade: V1		
	Accessories: Feeder & End cap & Mounting Hardware be included		
	Package Size: 104*20*10cm(1m)		
	Qty: 10pcs/ctn		
	GW: 11kg/ctn (1m)		
	Name: Straight Connector		
	Model NO: T042-I		
	Finish Color: Black /White		
	GW.: 0.04KG/PCS		
	Name: L Connector		
	Model NO: T042-L		
	Finish Color: Black /White		
	GW.: 0.18KG/PCS		
	Name: T Connector		
	Model NO: T042-T		
	Finish Color: Black /White		
	GW.: 0.27KG/PCS		
	Name: X Connector		
	Model NO: T042-X		
	Finish Color: Black /White		
	GW.: 0.31KG/PCS		

