

THE LIGHT YOU CAN TRUST



LED SMART GROW LIGHT KINGKONG SPIDER



Signature
Designed by WIP



WHITE LIGHT
LED Horticulture
Growth Light

ช่องทางาสั่งซื้อ



@wipintertrade

wipelectric



White Light

LED Horticulture Growth Light



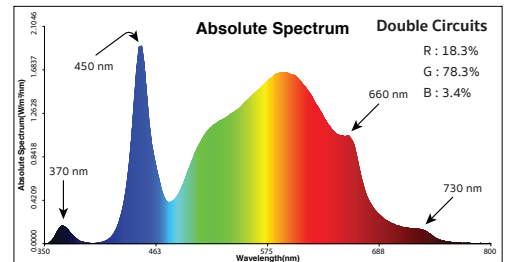
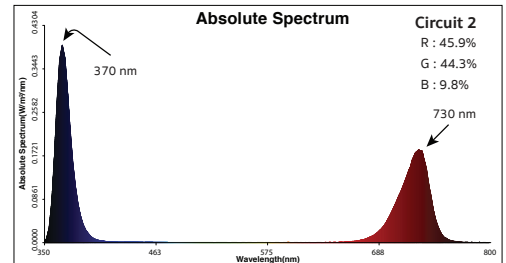
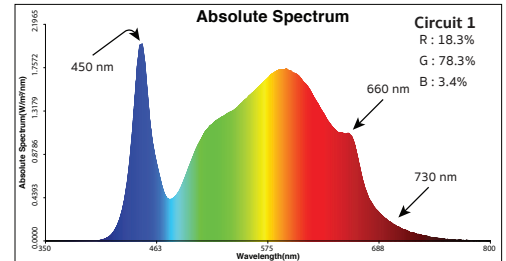
W-WL 1000S 1,000 Watts



Specification

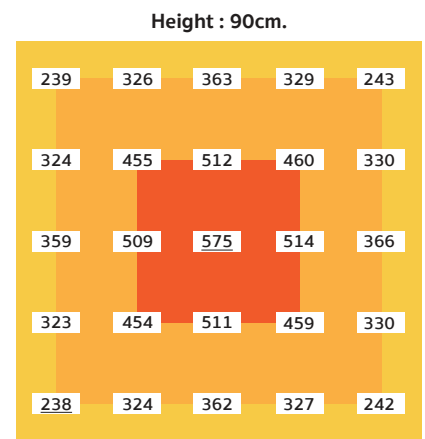
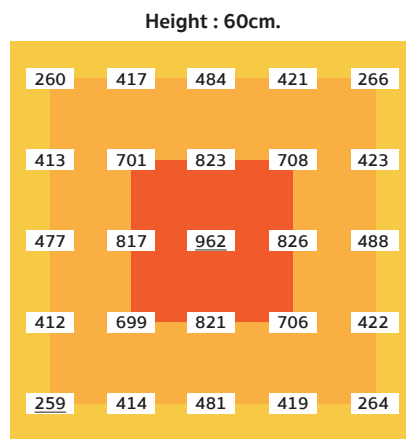
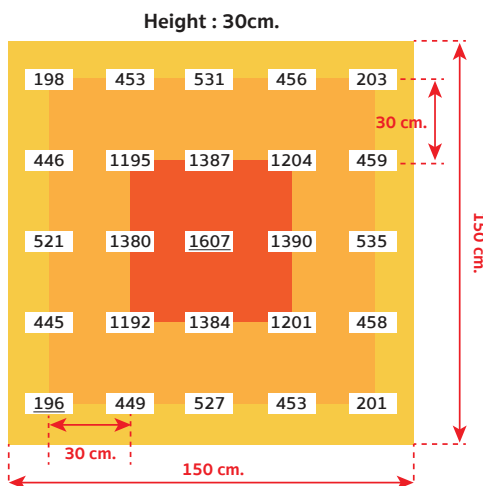
Model	W-WL1000S		
Function	Vegetative Stage	Flowering Stage	Vegetative Stage & Flowering Stage
Power Consumption	1,000W		
LED Light Source	LM301B		
Operating Temperature	-10 °C to + 65 °C		
Surge Protection	4 kV		
Heatsink	AL Profile		
Driver	1,000W Isolated		
PPE (PAR,400-700nm)	1.95 $\mu\text{mol}\cdot\text{J}^{-1}$		
PPF (PAR,400-700nm)	1,950 $\mu\text{mol}\cdot\text{s}^{-1}$		
PPFD : At 30 cm.	1,607.00 $\mu\text{mol}/(\text{m}^2\cdot\text{s})$	5.54 $\mu\text{mol}/(\text{m}^2\cdot\text{s})$	1,508.70 $\mu\text{mol}/(\text{m}^2\cdot\text{s})$
- RED	18.3%	45.9%	18.3%
- GREEN	78.3%	44.3%	78.3%
- BLUE	3.4%	9.8%	3.4%
Input Voltage	100-240 VAC 50/60Hz.		
Power Factor	>0.95		
Circuits	Double Circuits		
Dimmable	Dimmable		
IP Rating	IP65		
Life Time	25,000 hrs.		
Dimension in mm. (WxLxH)	1,192x1,076x75		
Total Weight (kg.)	17 kg.		
Warranty	3 Years		
Standard			

Spectrum

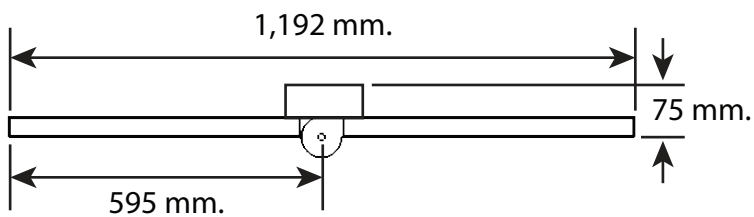
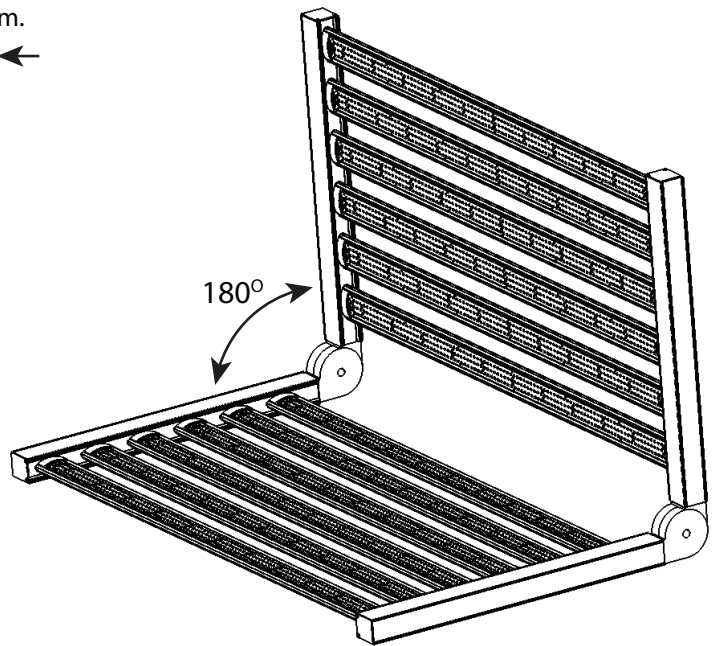
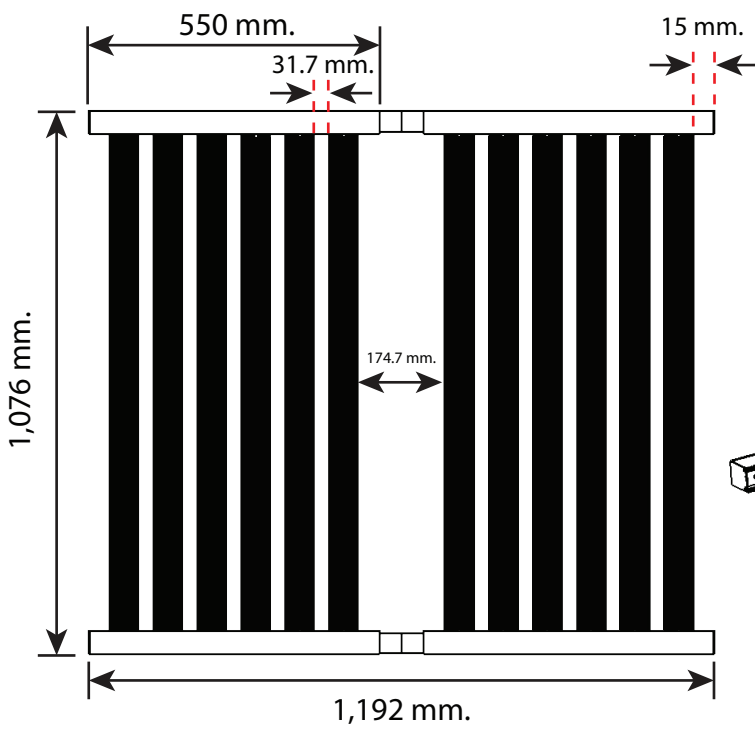
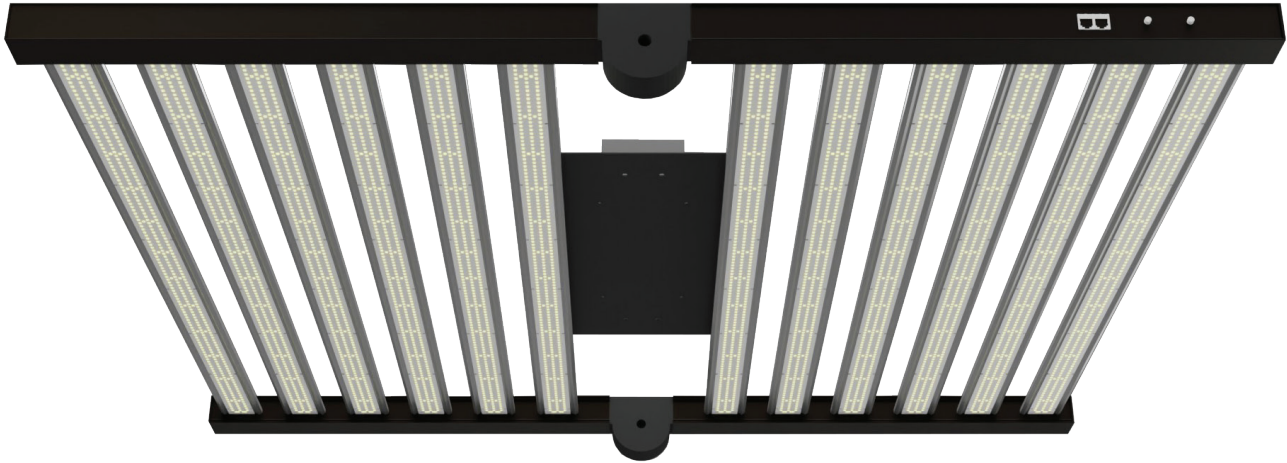


OS : PPFD MAP 1,000W

Unit : $\mu\text{mol}/(\text{m}^2\cdot\text{s})$



Dimension in mm.



Power	Bar	W	L	H
1,000W	12	1,192	1,076	75

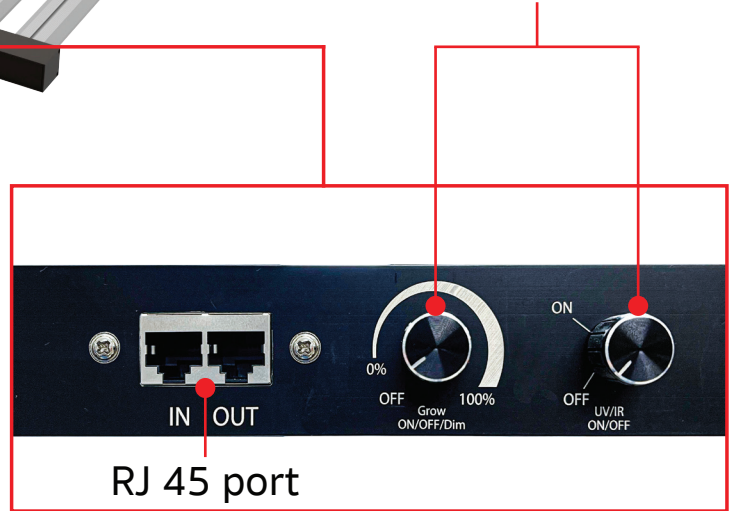
KINGKONG SMART DIM



Double circuit

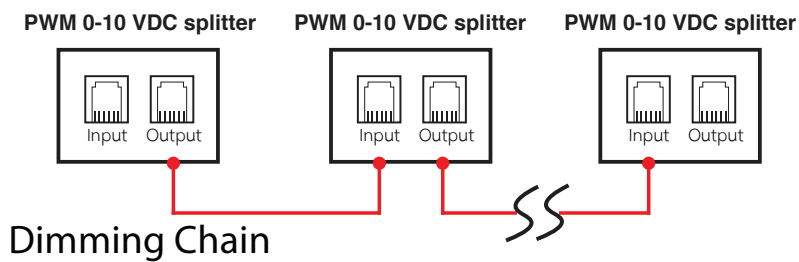
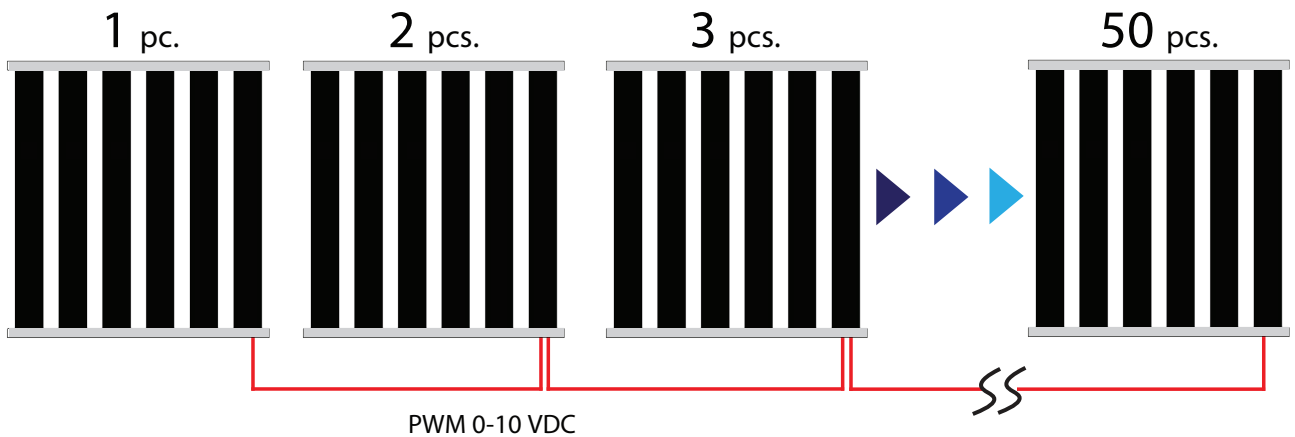
CONTROLLERS DOUBLE CIRCUIT

Switch	Master / Standalone	Slave
Grow	ON/OFF/Dim 0-100%	OFF
UV/IR	ON/OFF	OFF



RJ 45 port

Wiring Diagram



PWM 0-10 VDC Signal length 2 Meters