



W-DT34

DigitalTimer
Code : 49056



Count up & Count down timer

- Time range 1 second to 99 hours.
 - Supply voltage 100-265 VAC 50/60Hz. / 100-150 VDC
 - 7-segment-display for clear display and effective monitoring
 - Tact switch for accurate setting
- Time starts when power is applied. The relay will energized when the accumulated time equals the sey time and de - energize when power is disconnected.

Specification

Feature

Supply voltage	: 100-265VAC 50/60 Hz. / 100-150VDC
Power consumption	: 1.2 W
Accuracy	: ±1% max
Display	: 7-segment Red LED Letter 0.39" (9.90mm)

Time

Time ranges	: 1 to 99 Sec.
	1 to 99 Min.
	1 to 99 Hrs.
Time setting	: Front panel Tact switch
Timing function	: Count up, Count down
Reset time	: 0.1 sec max

Relay output

Output type	: SPDT x 2
Contact rating	: 5A at 250 VAC
Operations	: Mechanical: 2×10^7 times
	Electrical: 1×10^5 times

Environmental

Operating temperature	: -10°C to +55°C
Storage temperature	: -10°C to +70°C
Ambient humidity	: Max 85% RH

Enclosure

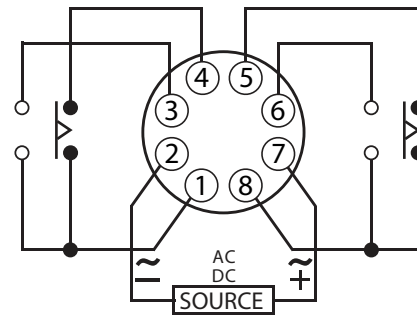
Material	: ABS Plastic case
Mounting	: Panel, surface
Connection	: 8-Pin round socket
Dimension	: 39 x 49 x 72
Weight	: 92 g

Selecting time range

Use the Up and Down tact switch to select and set the timer types, time units, and time range in each parameters.

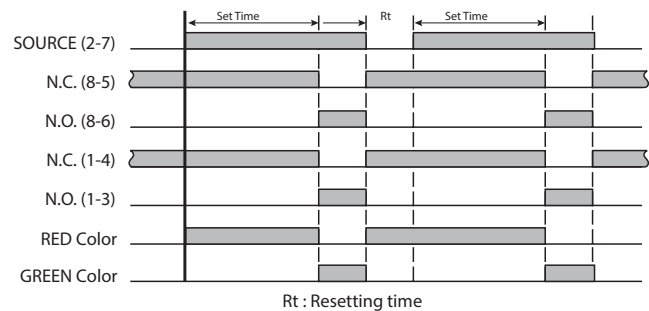
Time Unit	Time range
Second (Sec.)	1-99 Sec.
Minute (Min.)	1-99 Min.
Hour (Hr.)	1-99 Hrs.

Pin Connection

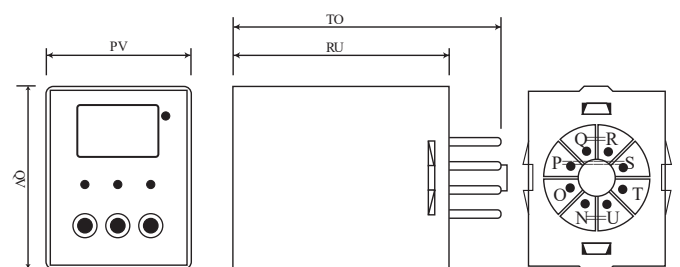


Supply Voltage : 100-265 VAC 50/60 Hz. / 100-150 VDC
Power Consumption : 1.2 W
Contact : SPDT x 2 5A 250 VAC
NON-INDUCTIVE LOAD

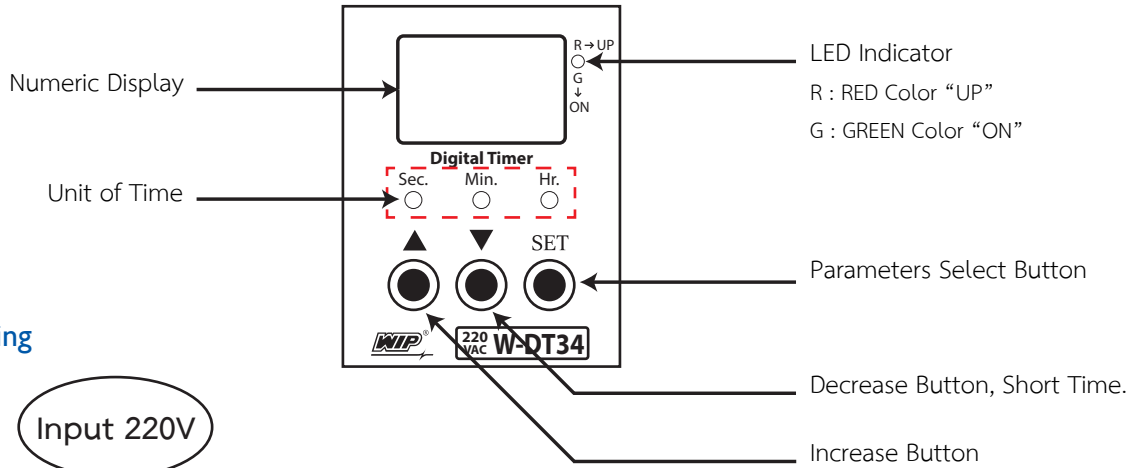
Timing Chart



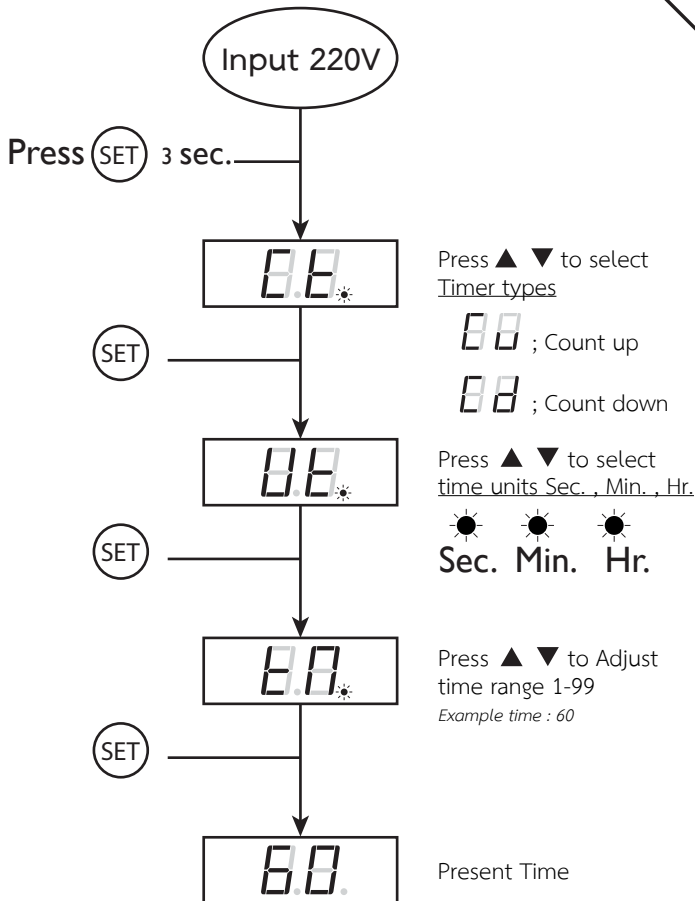
Dimension in mm.



Operation Front Panel



Parameter setting

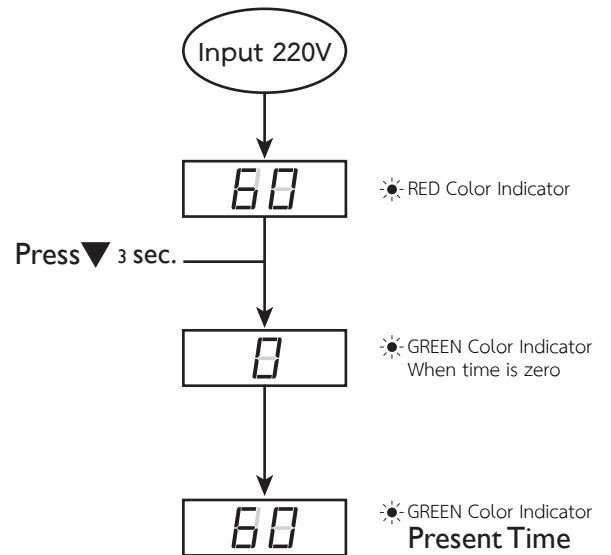


Note
 If the parameters setting not continue for 10 seconds.
 The Display will immediately exit from the setting parameter.

System parameter table

Symbol	Parameter
00	Counting types
00	Count up
00	Count down
00	Unit of time
00	Time

Ex. Timer types : Count down



Check time setting

Press ▲ 7-Segment Display will show the time setting for 3 secs. and then will back to present time

Faster Adjust time setting

Press ▲ ▼ and hold to Increase / Decrease the time faster in time setting parameter

Pause and Run time

Press ▼ to Pause and Press ▼ again to continue time running.