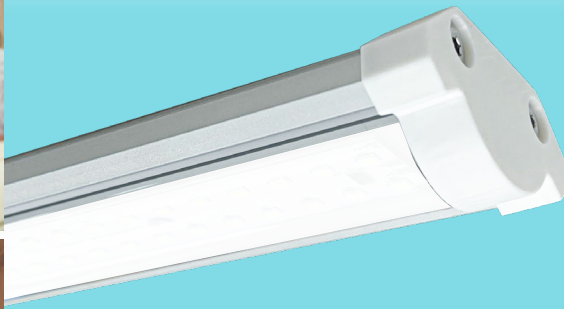


HIGH CRI AND CLEAR WHITE COLOR LEDS



Signature
Designed by WIP

WIP LED Linear Light

Specification	High CRI and Clear White LEDS Color			
Power Consumption	24W	28W	32W	35W
Input Voltage	30 VDC			
Light Source Flux (Lm)	3,240 Lm	3,780 Lm	4,320 Lm	4,725 Lm
Efficacy	135 Lm/W			
Power Factor	0.95			
Beam Angle	120°			
Work Temperature	-10°C to + 65°C			
LED Life Time	50,000 hrs.			
Dimmable	Dim, Non Dim			
Cover	PC			
LED Light Source	Nichia			
Color Rendering Index (CRI)	>90			
Color Temperature (CCT)	7800K			
Housing Material	AL profile			
Finishing	Anodize			
Dimension (in mm.)	29x600x50	29x800x50	29x980x50	29x1,170x50
Mount & Rail	Suspension Cable			
Total Weight (Kg.)	0.500	0.650	0.800	1.000
Warranty	1 Year			



Products of Thailand

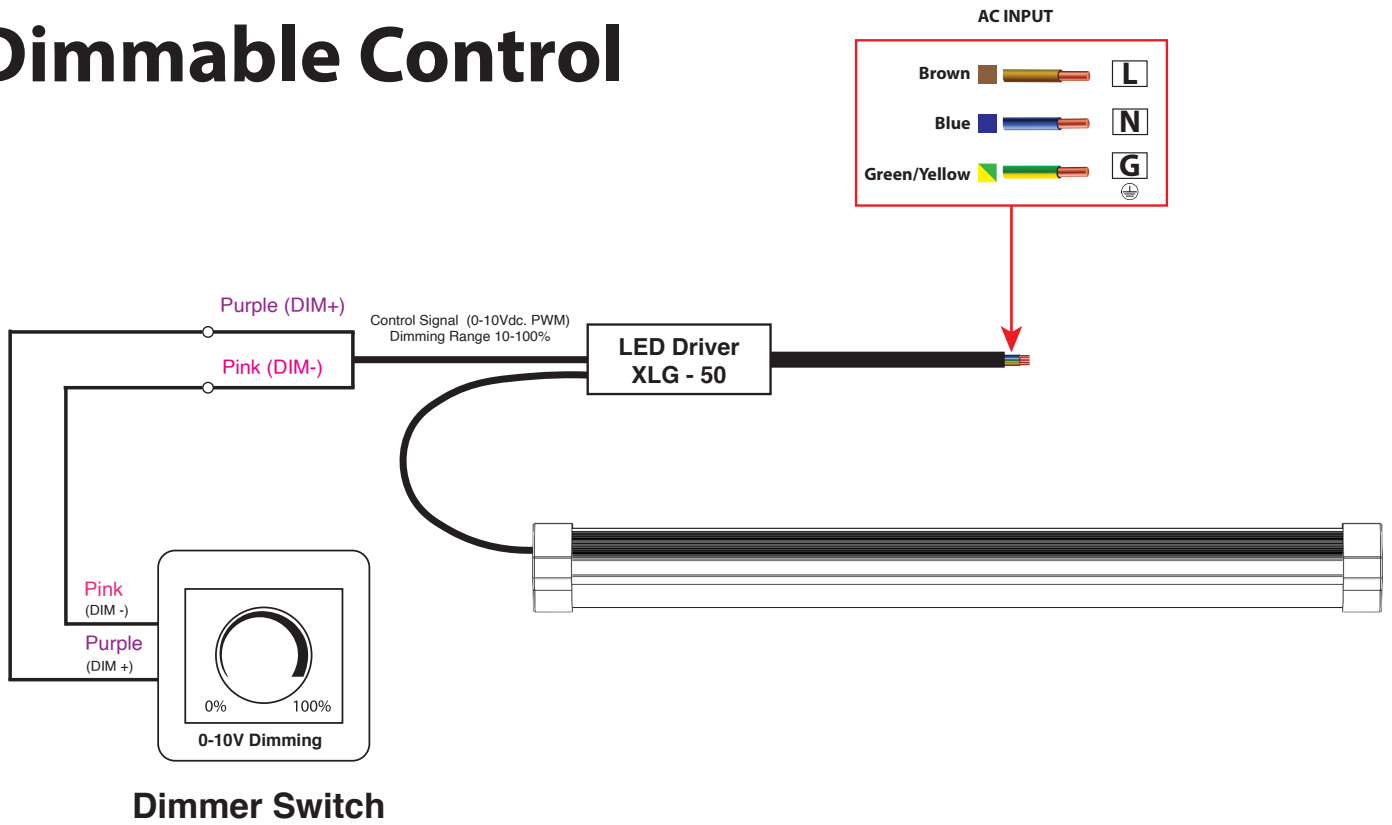
Rev : 0 Eff Date. 16/9/23

ACCESSORIES

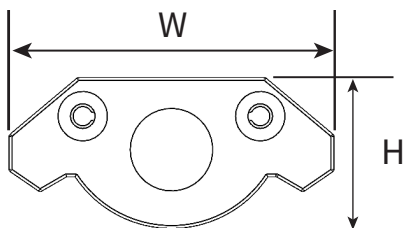
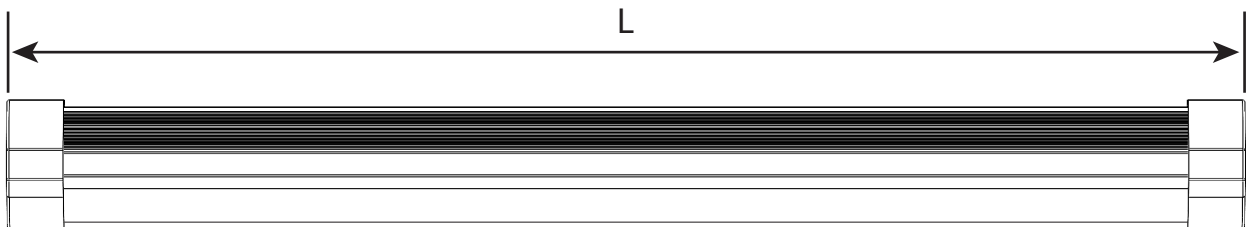


Wiring Diagram

Dimmable Control



Dimension (in mm.)



Power	Dimension (mm.)		
	(W)	(L)	(H)
24W	61	600	28
28W	61	800	28
32W	61	980	28
35W	61	1,170	28