

# REFRESH FOR DEEPER SLEEP



*Signature*  
Designed by WIP

## RECESSED DOWNLIGHT

Specification	Tunable Warm	
Model	W-TW25	W-TW50
Power Consumption	25W	50W
Input Voltage	36 VDC	
Light Source Flux (Lm)	3,000 Lm	6,000 Lm
Efficacy	120 Lm/W	
Power Factor	0.95	
Beam Angle	50°, 80°	
Work Temperature	-10°C to + 65°C	
LED Life Time	50,000 hrs.	
Dimmable	Dim, Non Dim	
Optic Material	PMMA	
LED Light Source	Luminus	
Color Rendering Index (CRI)	>90	
Color Temperature (CCT)	Tunable Warm 1800 - 4000K	
Housing Material	Die-cast Aluminium	
Finishing	Powder Coated in white	
Reflector	Black, White	
Dimension (in mm.)	115x115x42.50	215x115x42.50
Panel Cut-Out (in mm.)	95x95	195x95
Total Weight (Kg.)	0.317	0.602
Warranty	1 Year	

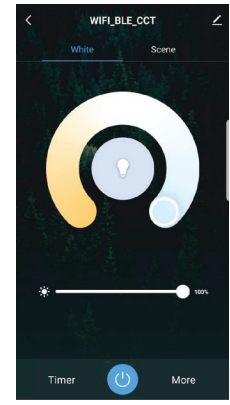
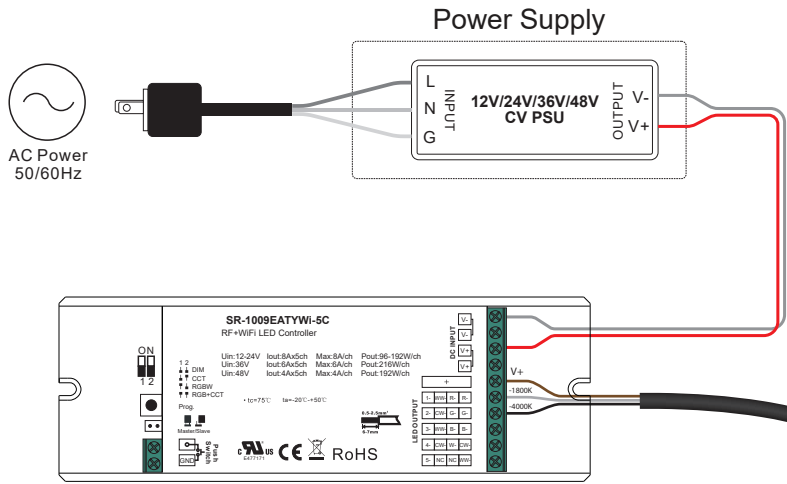
# ACCESSORIES

Option



## Tunable Control

Set up through the Application



### Product Data

Input Voltage	Output Current	Output Power	Connector Current Rating	Wire Size	Remarks	Size(LxWxH)	Ambient Temperature	Max. Casing Temperature
12-48VDC	Max. 8A/CH@12V/24V Max. 6A/CH@36V Max. 4A/CH@48V	Max. 96W/CH@12V Max. 192W/CH@24V Max. 216W/CH@36V Max. 192W/CH@48V	Max. 20A	0.05-3.3mm <sup>2</sup> (12-30AWG)	Constant voltage	170x59x29mm	-20°C ~ +50°C	75°C

### Product Features

- 4 in 1 RF+WiFi+Push Dim LED controller
- 5 channels 12/24V/36V/48V constant voltage output
- Max. 8A output per channel
- Enables to set the device type via DIP switches
- 4 device types are available for setting: DIM, CCT, RGBW, RGB+CCT
- Can be controlled through Tuya smart APP
- Cloud control enabled based on Tuya platform
- Voice control enabled, can be controlled through Amazon Alexa & Google Assistant
- Local control available through RF remotes even without WiFi network
- Sub-1GHz RF frequency: 434/869.6/916.5MHz
- Compatible with universal legacy RF remotes
- With push dim function, can be controlled through existing push switches even without WiFi and RF remotes
- Waterproof grade: IP20



### RF+WiFi LED Controller



Product Code : 7726  
Model : SR-1009EATYWI-5C

### Dual White RF Rotary LED Controller



SR-2835CCT instruction

Product Code : 7728  
Model : SR-2835CCT

ช่องทางการสั่งซื้อ



@wipintertrade wipelectric



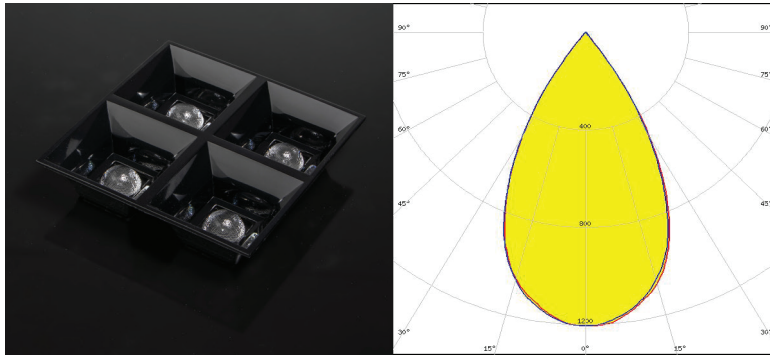
02-525-8825-8  
02-410-5030-4

# ACCESSORIES

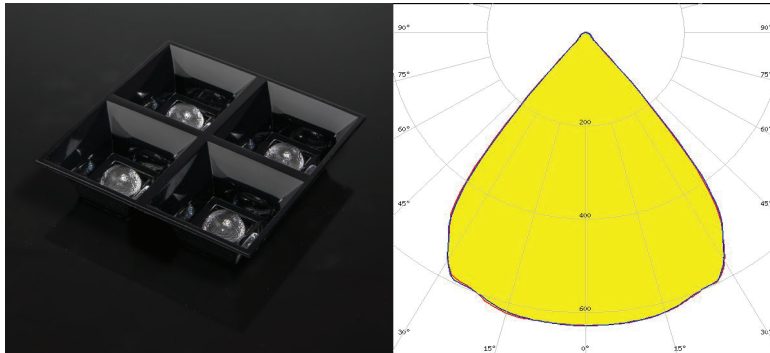
## LENS

### Beam Angle

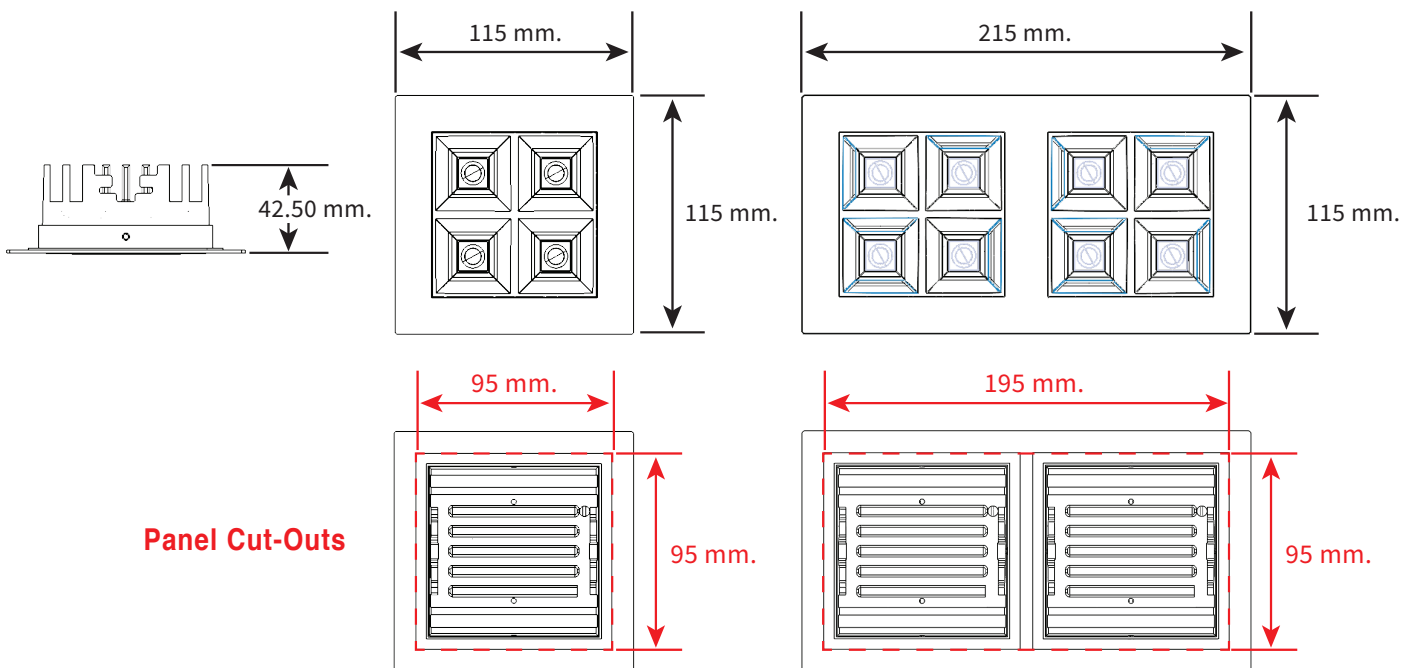
50°



80°



## Dimension (in mm.)



Panel Cut-Outs

Module	Panel Cut-Outs	Dimension (mm.)		
		(W)	(L)	(H)
1 M	95x95	115	115	42.50
2 M	195x95	215	115	42.50