



## W-BS2

Voltage Dip Compensators

Uninterruptible Power Supply

Code : I002



- Batteryless, therefore no replacement and maintenance costs or hazardous waste
- Long life design (>10 years)
- Compact size design to minimize the necessary space for installation
- Light weight

The voltage sags or dips can be occurred by short circuits, lightning strike on overhead power lines and heavy load switching. Each short voltage now becomes a power failure and the plant must be restarted. This can be complicated, time-consuming and costly.

Our Voltage Dip Compensator (W-BS2) is designed to maintain the inductive loads such as magnetic contactor from tripping due to Voltage interruptions or Voltage sags within the set time. Power source of complete sine wave can be supplied with the all time inverter power feeding (True On-Line Method) system even at the time when power is stopped or at the moment of momentary power failure of in the event of voltage drop.

### WARNING

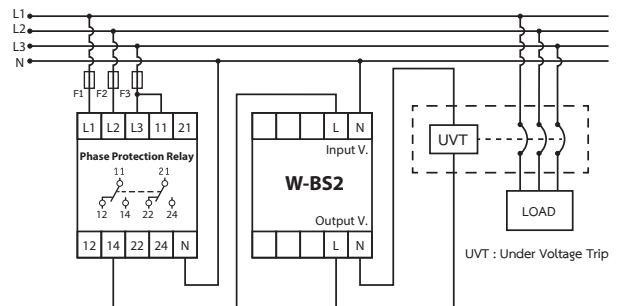
Risk of electric shock! Dangerously high voltage can be present up to 1 hours after the W-BS2 disconnected.

NEVER attempt maintenance on the W-BS2 during the period unless storage capacitors have been manually discharged.

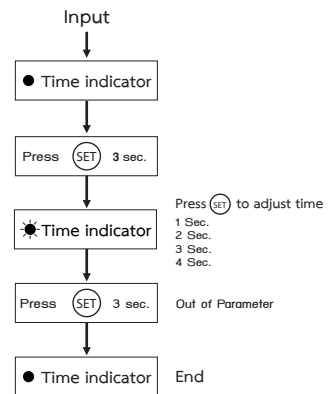
### Specification

AC Input Supply	
Power consumption	: 5.5 VA
Single phase supply voltage	: 175-264 VAC
System frequency	: 50/60 Hz.
Protection	: Fuse 3A
AC Output	
Output voltage (V)	: 175-264 VAC
Frequency range	: 50/60 Hz.
Load current (mA)	: 30 mA
Power factor range	: $\cos \phi$ from 1 to 0
Wave form	: Sine wave
Time	
Compensation Time	: Adjustable from 1...4 seconds Default 3 Sec.
Transfer time	: No transfer time
Indicator	
System OK	: Red LED
Compensator running	: Blink LED
Environmental	
Operating temperature	: -10°C to +55°C
Storage temperature	: -10°C to +70°C
Enclosure	
Mounting	: DIN rail 35mm.
Housing	: ABS UL94V-0
Protection class	: IP20
Wire fixing	: Screw terminal block (3.5mm <sup>2</sup> self lifting)
Dimension in mm	: 60 x 79.50 x 117.40
Weight	: 297 g.

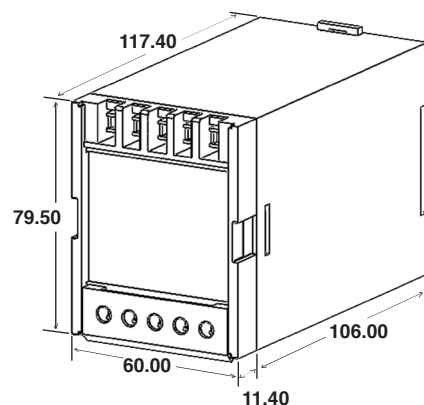
### Application Schematic



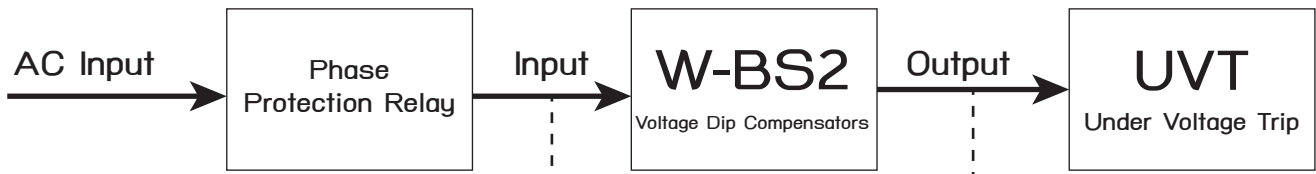
### Time Setting



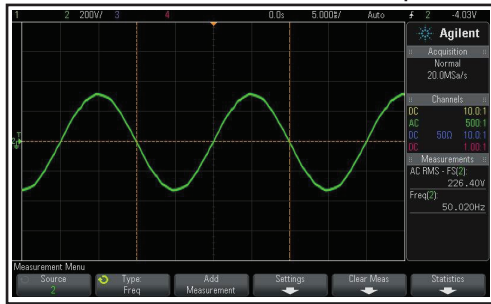
### Dimension in mm.



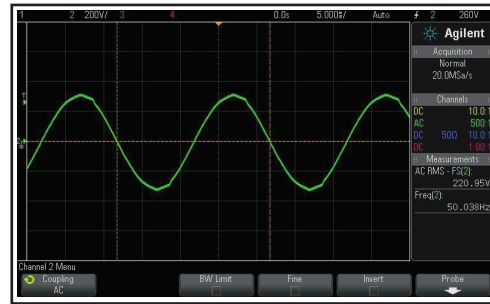
## Block Diagram Operation System



## AC Waveforms



Pure Sine Wave ( Input )



Pure Sine Wave ( Output )

## Operation (Time Setting 3 Sec.)

