

# HIGH BAY



# HIGH BAY



*Signature*  
Designed by WIP



100W



120W, 150W



180W, 200W

## STELLA SERIES

### Specification

The light shell is Nano-coating Appearance offers a better heat dissipation, Black Color, high quality aluminium alloy, clean and smooth. Integrated molding of lamps and electric appliances with a compact-sized, beautiful and trendy appearance. It has convenient installation suitable for warehouse, store, market, etc., operation and maintenance also provides waterproofing and anti-fogging (IP67)

Input Voltage	100-240Vac50/60Hz.	Lens Material	Ledil : Silicone High bay Lens	Heat Sink	GENTWIN-Phase Change
Input Voltage Range	100-305Vac50/60Hz.	LED Light Source	Single COB : Citizen	Gasket	Silicone
Power Factor	>0.95	CRI	>70, >80	Mount	Hook
Beam Angle	30°, 60°, 90°	Driver	Meanwell, Inventronics	IP Rating	IP67
Work Temperature	-10°C to + 65°C			Warranty	3 Years
LED Life Time	50,000 hrs.				

Model	Power (W)	Luminous Flux (lm)	Efficiency (lm/W)	Weight (Kg.)	Dimension (mm.)	Standard
WG06-100	100	12,500	125	3.07	225x225x192	
WG06-120	120	15,000	125	3.46	225x225x192	
WG06-150	150	18,750	125	3.87	225x225x212	
WG06-180	180	22,500	125	5.12	225x225x245	
WG06-200	200	25,000	125	5.12	225x225x245	

BENDER + WIRTH CITIZEN Micro HumanTech gentwin™



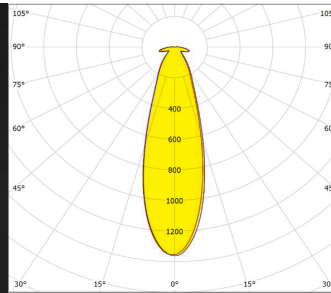
Products of Thailand

# HIGH BAY

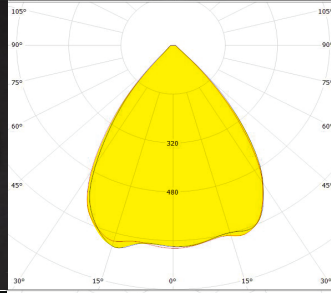
## LENS

Beam Angle

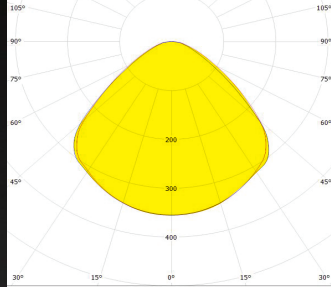
30°



60°

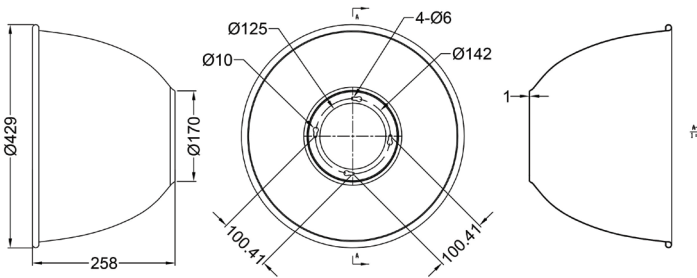


90°

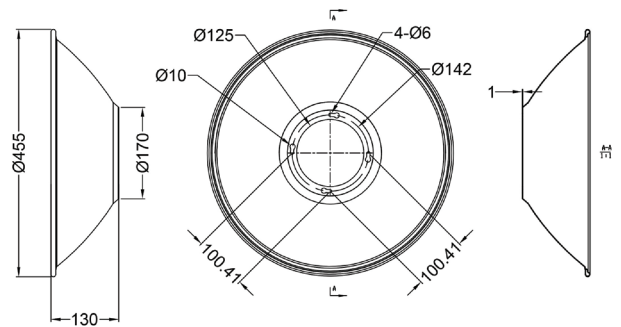


## Lampshade

Shade 60°



Shade 90°



## Dimension (in mm.)

