

STREET LIGHT



STREET LIGHT



*Signature
Designed by WIP*

WJD SERIES

Specification

The light shell is die-casted using high-quality aluminium. With the latest LEDIL's Strada 2x2 T2 street lighting optic series specially designed for street lighting, they provide high efficiency and uniform lighting which saves up to 85% energy. The integrated molding of the lamps and electric appliances gives the product its compactable size and trendy appearance. The protection of the product is IP66 rated for its resistance to moisture and dust. This design is suitable for streets, parking spaces, highways and parks in villages.

Input Voltage	100-240Vac50/60Hz.	Lens Material	PMMA	Finishing	Powder Coated in gray
Input Voltage Range	100-305Vac50/60Hz.	LED Light Source	Lumileds	Gasket	Rubber
Power Factor	>0.95	CRI	>70	Surge Protection	10kV
Beam Angle	70°/150°	CCT	3000K, 4000K, 5000K, 6500K	IP Rating	IP66
Work Temperature	-10°C to + 65°C	Driver	Meanwell	Warranty	3 Years
LED Life Time	50,000 hrs.	Housing	Aluminium Die Casting		

Model	Power (W)	Luminous Flux (lm)	Efficiency (lm/W)	Weight (Kg.)	Dimension (mm.)	standard
WJD-60	60	7,800	130	4.43	247x145x667	
WJD-80	80	10,400	130	4.43	247x145x667	
WJD-100	100	13,000	130	4.43	247x145x667	
WJD-120	120	15,600	130	5.53	299x145x742	
WJD-150	150	19,500	130	5.53	299x145x742	
WJD-180	180	23,400	130	7.16	342x145x805	
WJD-200	200	26,000	130	7.16	342x145x805	
WJD-240	240	31,200	130	7.16	342x145x805	

IEC : 61000-4-5 The International Electrotechnical Commission's international standard on surge immunity.

IEC : 60529 Ingress Protection Rating

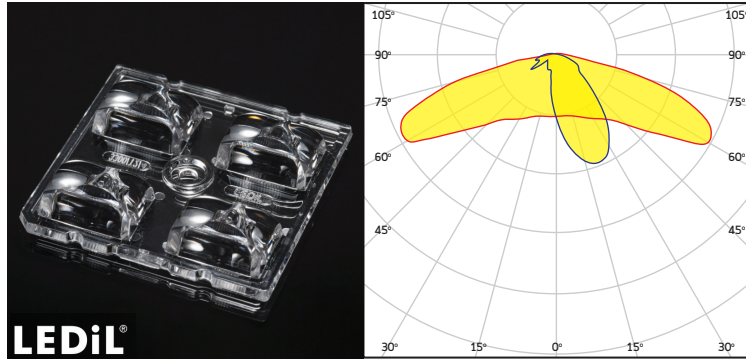
IEC : 62262 Degrees of protection provided by enclosures for electrical equipment against external mechanical impacts



Products of Thailand

STREET LIGHT

LENS



70°/150°



Lumileds

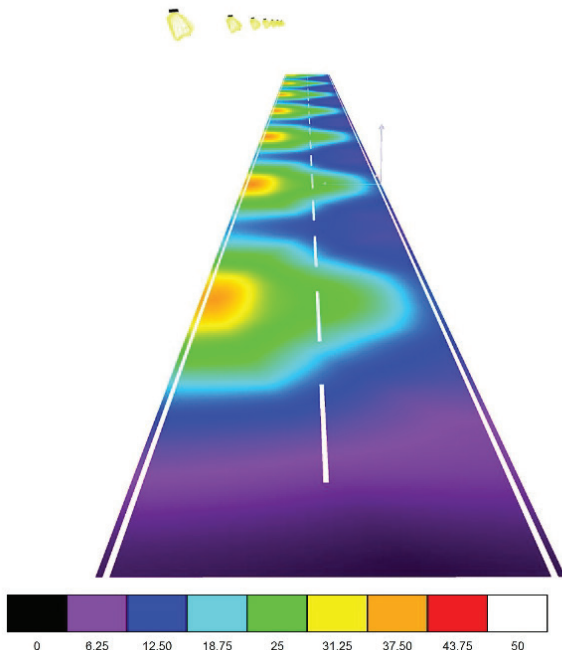


Ledil



Meanwell

Simulation



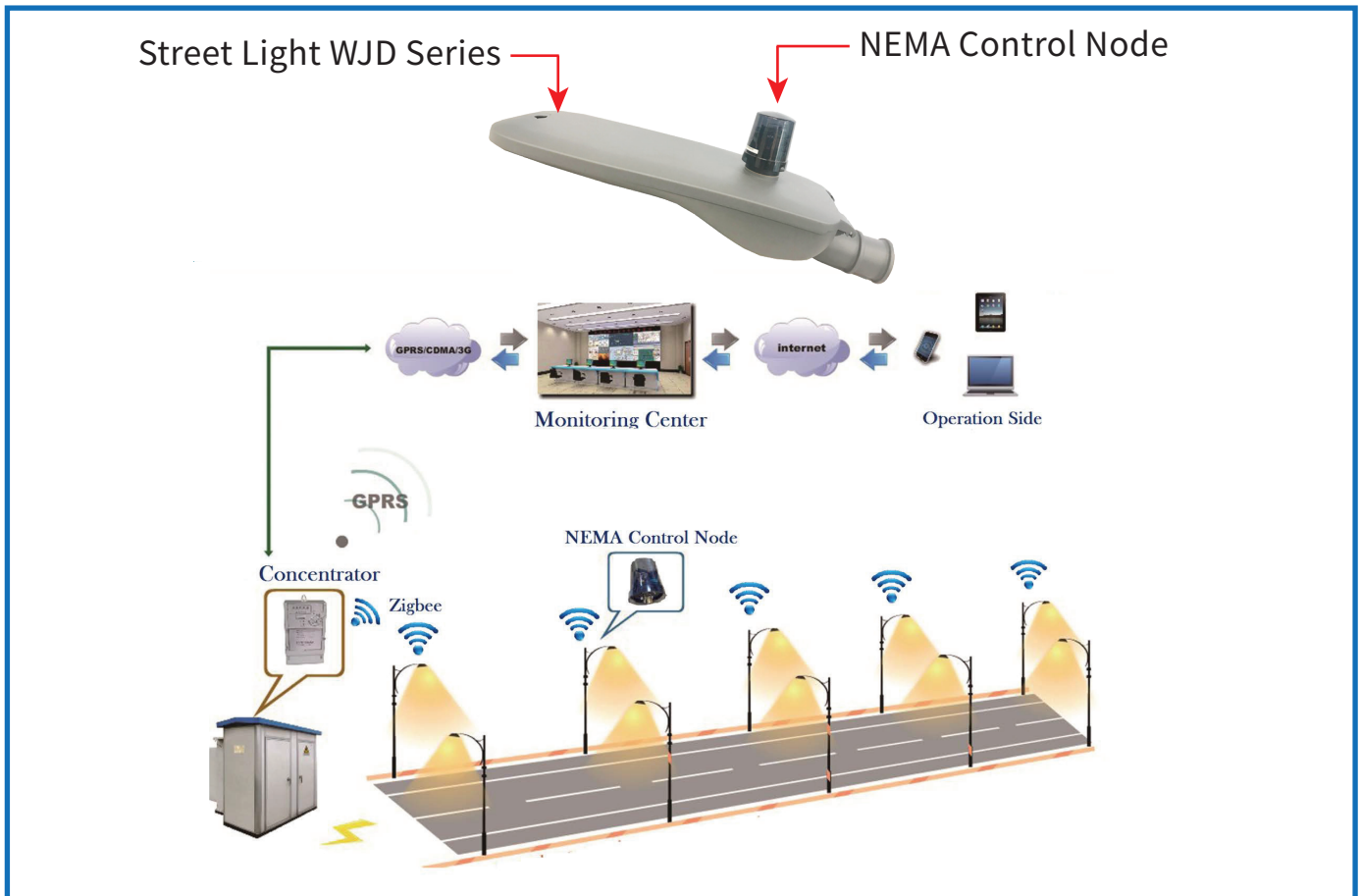
LED Street Light WJD-120
 Mounting Height : 10~12 m
 Pole Distance : 30~35M
 Luminaire Wattage : **120W**
 Lux on floor :

19 lux	31 lux
Pole height : 12M	Pole height : 10M
Pole distance : 35M	Pole distance : 30M
Road width : 10M	Road width : 8M

STREET LIGHT

Smart Lighting Solution

Option Zigbee NEMA Controller



LOOP CONTROL

There are 4 DO inside the concentrator, we can use the DO to connect the contactor, and the contactor can turn on or off the entire circuit



LAMP CONTROL

You can control every lamp by the controller, to close or open the lamp, or dimming it, or query the status or data of the lamp



TASK

There are many kinds of task in NEMA Smart Lighting solution, include loop control task, RTU task and RTU self-running task. You can also control the loop by lightness or by the location



DATA

Through the meter inside the CCU or the meter connect with the CCU by RS485, you can query the electric data of the loop, The system can record the data, and analysis them, show them as sheet.



Fault

The System can detect lamp failure, report alarm, it also can report over-load circuit and alarm;



Easy to Install

The Wiring interface of Control Nodes to LED lamp comply with ANSI C136.41(NEMA), So the Control Node can easy to install and maintain



Display the System on the Map

The System can display the location of every lamps on the map, and can show the status of the lamps on the map too.



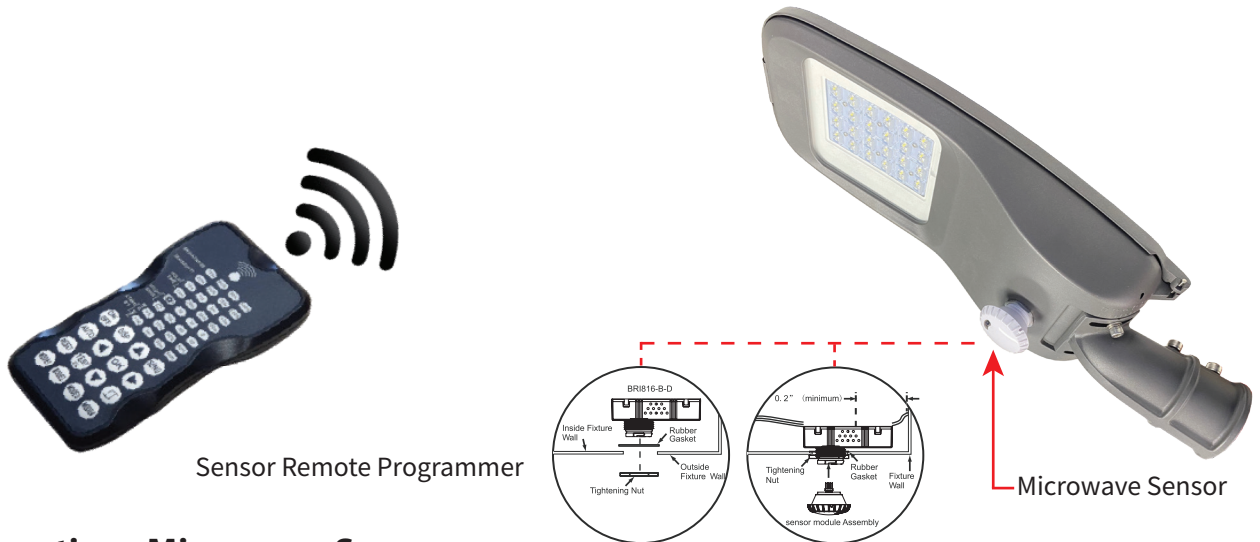
Wireless Communication

The communication between the concentrators and the Control Node are made via Zigbee

STREET LIGHT

Smart Lighting Solution

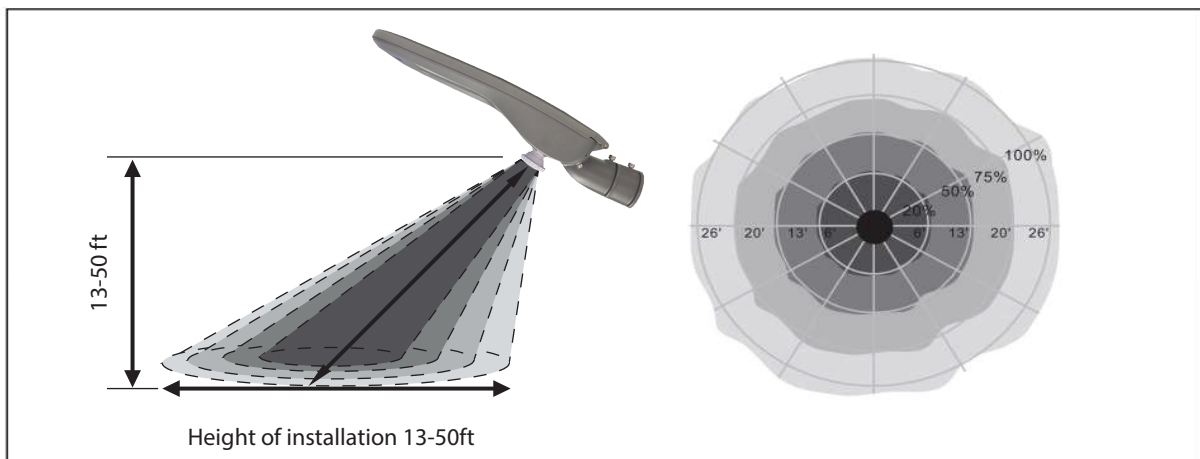
Option Option Microwave Sensor



Main Functions Microwave Sensor

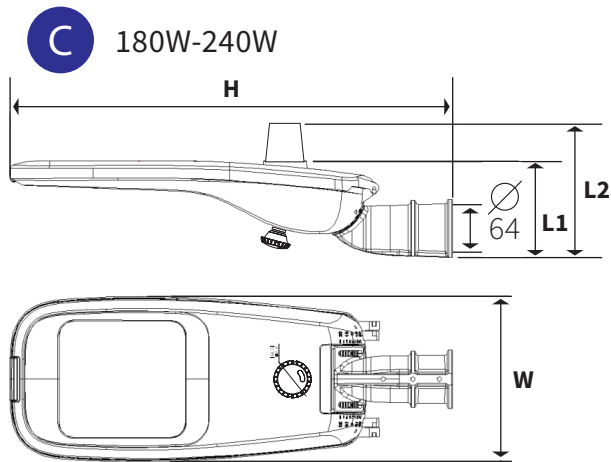
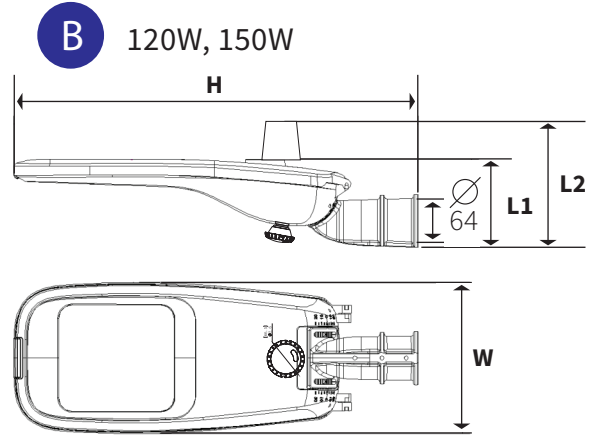
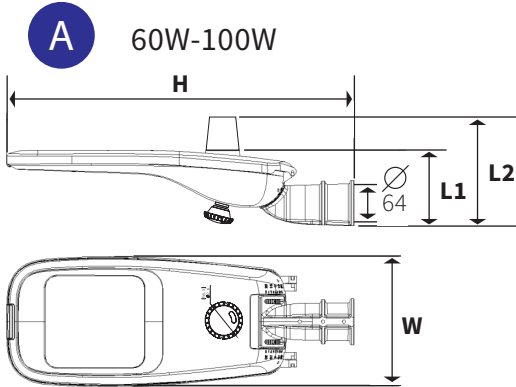
Dim Control Option	0-10V, Max. 25mA, Sinking Current
HF System	5.8GHz. +/- 75 MHz.
Mounting High	Max. 50ft (15 Meters)
Brightness Setting	70%, 80%, 90%, 100%
Detection Radius (Sensitivity)	20%, 50%, 75%, 100% (1-8M)
Hold Time Setting	10S, 1m, 5m, 10m, 15m (Dip Switch setting) 10S, 1m, 5m, 10m, 15m, 20m, 30m, 60m (Remote setting)
Daylight Sensor Setting	Light On (Lux) : 10, 30, 50 Light Off (Lux) : 100, 300, 500
Stand By Setting	Dim : 0%, 10%, 30%, 50% Time : +∞, 1m, 30m, 60m
Mode Selected	Mode1, Mode2, Mode3 and Mode4
IP Rating	IP65

SENSOR COVERAGE



STREET LIGHT

Dimension (in mm.)



Model	Type	Dimension (mm.)			
		(W)	(L1)	(L2)	(H)
WJD-60	A	247	145	261	667
WJD-80	A	247	145	261	667
WJD-100	A	247	145	261	667
WJD-120	B	299	145	261	742
WJD-150	B	299	145	261	742
WJD-180	C	342	145	261	805
WJD-200	C	342	145	261	805
WJD-240	C	342	145	261	805

Assembly Parts

