

LED TUBE T8

LED TUBE T8



LED TUBE T8



*Signature
Designed by WIP*

PREMIUM HI LED : LED T8 SERIES

Specification

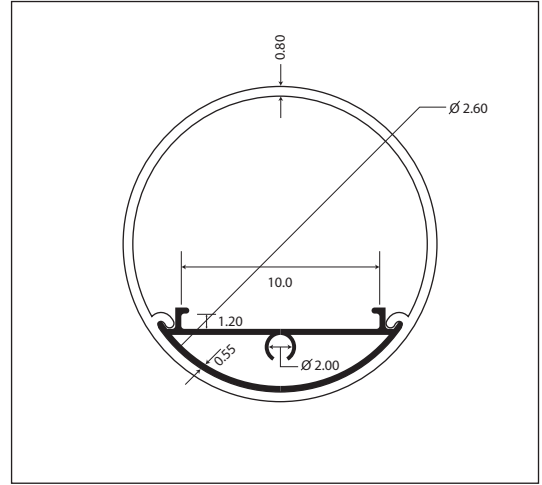
The light shell is G13 standard base lamp and modern design offers a better perspective, Very low power consumption & energy saving, clean and smooth. This is a perfect option for commercial lighting applications, easily replacement for normal fluorescent lamps with an aesthetic streamline design suitable for home lighting, office, hotel, etc. It has convenient installation, operation and maintenance also provided long life time usage.

Input Voltage	100-265VAC50/60HZ.	CRI	>85
Power Factor	>0.95	CCT	3000K, 4000K, 5000K, 6500K
Base Type	G13	Surge Protection	1kV
Work Temperature	-10°C to + 65°C	Warranty	3 Years
LED Life Time	50,000 hrs.		

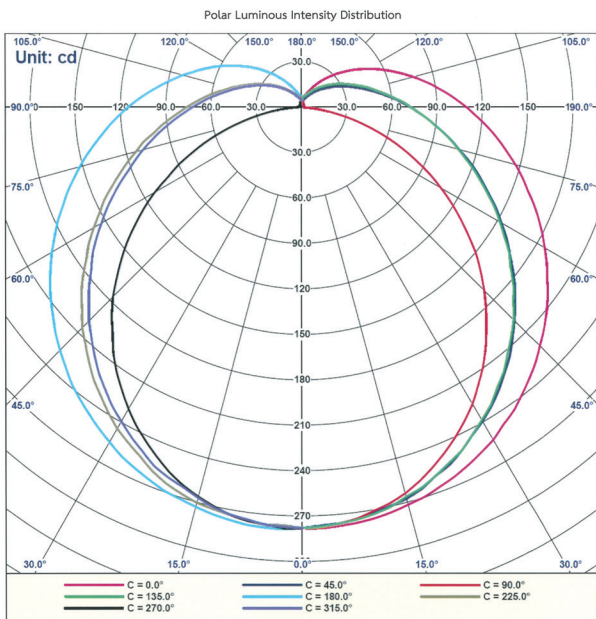
Model	Power (W)	Luminous Flux (lm)	Efficiency (lm/W)	Total Harmonic Distortion	Flicker	Length (mm.)	Standard
HI LED-1200 1200 mm 18W 2500LM	18	2,500	139	<5%	<5%	1,200	
HI LED-1200 1200 mm 18W 2300LM	18	2,300	128	<5%	<5%	1,200	
HI LED-1200 1200 mm 16W 2400LM	16	2,400	150	<10%	<5%	1,200	
HI LED-1200 1200 mm 14W 2300LM	14	2,300	164	<10%	<5%	1,200	
HI LED-0600 600 mm 9W 1150LM	9	1,150	128	<10%	<5%	600	

LED TUBE T8

TUBE



BEAM ANGLE

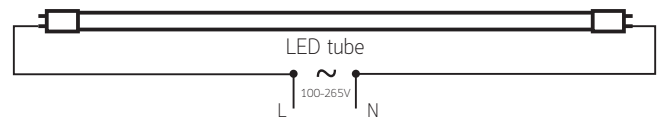


WIRING DIAGRAM

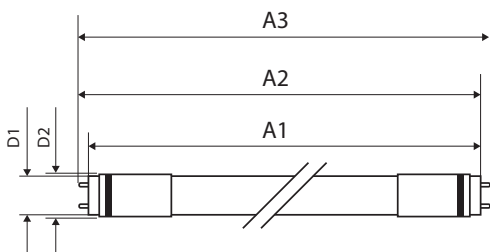
W1 Wiring Type Single end



W2 Wiring Type Double end



DIMENSION



Dimension (mm.)±1.0

Product	A1	A2	A3	D1	D2
T8 18W	1198	1205	1212	26	28.5
T8 9W	588	595	602	26	28.5