

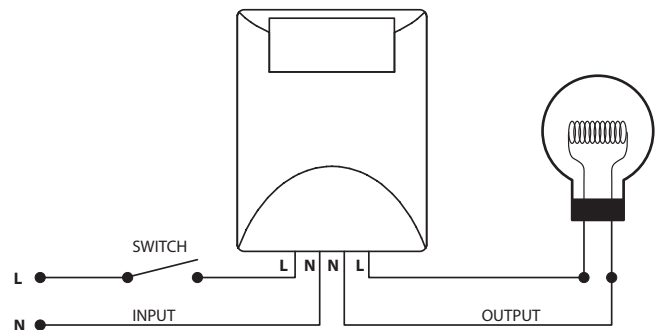


W-PT3

Photo Switch
Code : 5100

The photo switch will automatically turn on electric appliances when dark falls. It is designed to controlling lighting systems for streets, gardens, shop windows, entrances and other locations. Automatic switch on and off according to set lux value, that will switch your light on at dark and off again at dawn.

Diagram



Specification

Feature

Supply voltage	: 100-265 VAC
System frequency	: 50/60 Hz.
Power consumption	: 1.2 W

Range

Intensity of light(ON)	: 12 lux
Intensity of light(OFF)	: 22 lux

Relay output

Output type	: SPDT
Output contact	: 5A at 250 VAC
Operations	: Mechanical: 2×10^7 times Electrical: 1×10^5 time

Environmental

Operating temperature	: -10°C to $+55^{\circ}\text{C}$
Storage temperature	: -10°C to $+70^{\circ}\text{C}$
Ambient humidity	: Max 85%RH

Enclosure

Mounting	: Wall type
Housing	: ABS & PC Plastic
Wire fixing	: Screw terminal block 2.5 mm ²
Dimension (mm)	: 56 x 71 x 38

Dimension in mm.

