



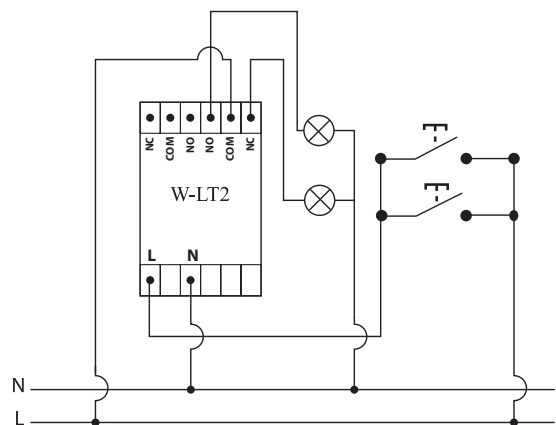
W-LT2

Latching Relay
Code : 5001



W-LT2 is thus ideal for alternate operation or transfer / switching operation of a motor, lighting management. The contacts are actuated with every current pulse and they stay in the operating position they have adopted in each case until the next current pulse occurs. It is possible to actuate the contacts manually by pressing a pushbutton provides on the unit. The contact position is shown by an indicator. The case can be mounted on a DIN rail 35 mm.

Diagram



Specification

Feature

Approved standard	: CE Mark
Power consumption	: 1VA
Supply voltage	: 220-240 VAC
System frequency	: 50/60 Hz.
Operating mode	: Pulse operation

Relay output

Output type	: DPDT
Contact rating	: 5A at 250 VAC
Operations	: Mechanical: 2×10^7 times Electrical: 1×10^5 times

Environmental

Operating temperature	: -10° to $+55^{\circ}$ C
Storage temperature	: -10° to $+70^{\circ}$ C
Ambient humidity	: Max 85%RH

Enclosure

Mounting	: DIN rail 35 mm
Housing	: ABS UL 94V-0
Protection class	: IP 20
Wire fixing	: Screw terminal block 2.5 mm ²
Indicator	: LED 3 mm
Dimension (mm)	: 37 x 91 x 62
Weight	: 93 g

Dimension in mm.

