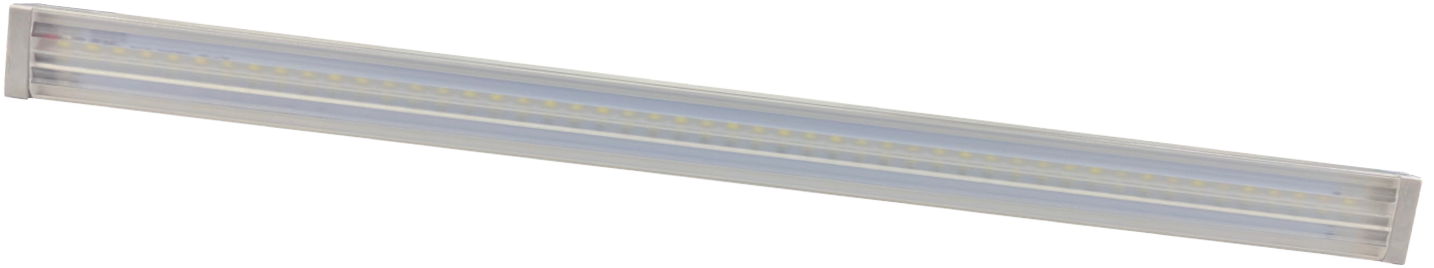


LED LINEAR LIGHT



LED LINEAR LIGHT



*Signature
Designed by WIP*

LED Linear Light

Specification

The light shell is high quality aluminum extrusion, modern design offers a better perspective, using asymmetric beam for wall washing, double asymmetric beam for aisle and shelf lighting. A Linear PMMA optics help avoid sharp shadows and offer a modern alternative. It has a convenient installation, operation and maintenance, provided a long life time usage. Idea for product display case, luxury display case, products shelf, etc.

Input Voltage 70-75 VDC	Work Temperature -10°C to + 65°C	CRI >80, >90
Beam Angle ~ 40° + 100°, ~ 70° + 100°, Double asymmetric beam for aisle and shelf lighting , Asymmetric beam for wall washing	LED Life Time 50,000 hrs.	CCT 3000K, 4000K, 5000K, 6500K
	Lens Material Polymethyl methacrylate (PMMA)	Driver External Driver
	LED Light Source Everlight, Lumileds	Tube Aluminium
		Warranty 3 Years

Model	Power (W)	Luminous Flux (lm)	Efficiency (lm/W)	Weight (Kg.)	Dimension (mm.)
W-20	5	675	135	0.225	26x200x11
W-40	7	945	135	0.245	26x400x11
W-60	10	1,350	135	0.265	26x600x11
W-80	12	1,620	135	0.285	26x800x11
W-100	14	1,890	135	0.325	26x1000x11
W-115	16	2,160	135	0.345	26x1150x11



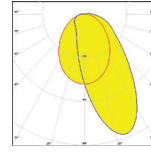
Products of Thailand

LED LINEAR LIGHT

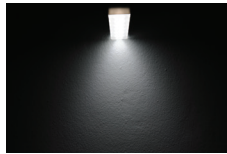
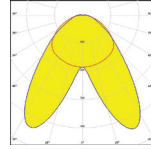
LENS



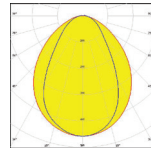
F16859
Asymmetric beam for wall washing
and shelf lighting



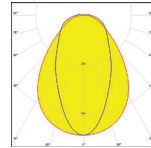
F16858
Double asymmetric beam for
aisle and shelf lighting



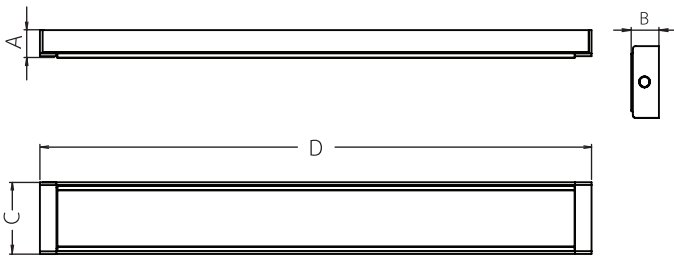
F16749
~70°+100° Beam



F16748
~40°+100° Oval Beam

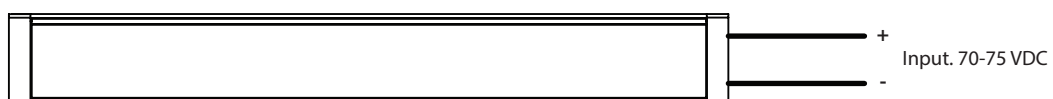


Dimension



5W		<table border="1"> <thead> <tr> <th>A (mm)</th> <th>B (mm)</th> <th>C (mm)</th> <th>D (mm)</th> </tr> </thead> <tbody> <tr> <td>10.0</td> <td>10.0</td> <td>26.0</td> <td>200.0</td> </tr> </tbody> </table>	A (mm)	B (mm)	C (mm)	D (mm)	10.0	10.0	26.0	200.0
A (mm)	B (mm)	C (mm)	D (mm)							
10.0	10.0	26.0	200.0							
7W		<table border="1"> <thead> <tr> <th>A (mm)</th> <th>B (mm)</th> <th>C (mm)</th> <th>D (mm)</th> </tr> </thead> <tbody> <tr> <td>10.0</td> <td>10.0</td> <td>26.0</td> <td>400.0</td> </tr> </tbody> </table>	A (mm)	B (mm)	C (mm)	D (mm)	10.0	10.0	26.0	400.0
A (mm)	B (mm)	C (mm)	D (mm)							
10.0	10.0	26.0	400.0							
10W		<table border="1"> <thead> <tr> <th>A (mm)</th> <th>B (mm)</th> <th>C (mm)</th> <th>D (mm)</th> </tr> </thead> <tbody> <tr> <td>10.0</td> <td>10.0</td> <td>26.0</td> <td>600.0</td> </tr> </tbody> </table>	A (mm)	B (mm)	C (mm)	D (mm)	10.0	10.0	26.0	600.0
A (mm)	B (mm)	C (mm)	D (mm)							
10.0	10.0	26.0	600.0							
12W		<table border="1"> <thead> <tr> <th>A (mm)</th> <th>B (mm)</th> <th>C (mm)</th> <th>D (mm)</th> </tr> </thead> <tbody> <tr> <td>10.0</td> <td>10.0</td> <td>26.0</td> <td>800.0</td> </tr> </tbody> </table>	A (mm)	B (mm)	C (mm)	D (mm)	10.0	10.0	26.0	800.0
A (mm)	B (mm)	C (mm)	D (mm)							
10.0	10.0	26.0	800.0							
14W		<table border="1"> <thead> <tr> <th>A (mm)</th> <th>B (mm)</th> <th>C (mm)</th> <th>D (mm)</th> </tr> </thead> <tbody> <tr> <td>10.0</td> <td>10.0</td> <td>26.0</td> <td>1000.0</td> </tr> </tbody> </table>	A (mm)	B (mm)	C (mm)	D (mm)	10.0	10.0	26.0	1000.0
A (mm)	B (mm)	C (mm)	D (mm)							
10.0	10.0	26.0	1000.0							
16W		<table border="1"> <thead> <tr> <th>A (mm)</th> <th>B (mm)</th> <th>C (mm)</th> <th>D (mm)</th> </tr> </thead> <tbody> <tr> <td>10.0</td> <td>10.0</td> <td>26.0</td> <td>1150.0</td> </tr> </tbody> </table>	A (mm)	B (mm)	C (mm)	D (mm)	10.0	10.0	26.0	1150.0
A (mm)	B (mm)	C (mm)	D (mm)							
10.0	10.0	26.0	1150.0							

Wiring Diagram



LED LINEAR LIGHT

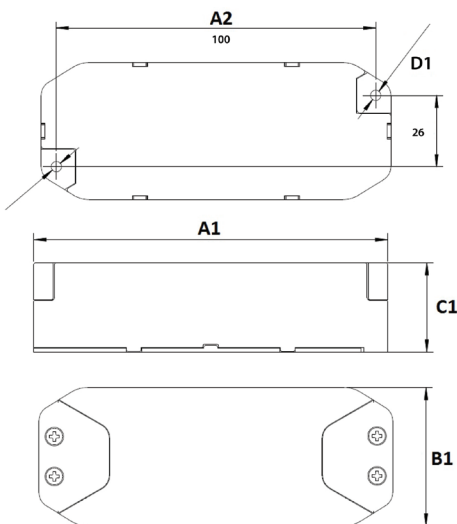
LED Driver



Specification

Power	5W	7W	10W	12W	14W	16W
Model	WD06-5-78AF	WD06-7-78AF	WD06-10-78AF	WD06-12-78AF	WD06-14-78AF	WD06-16-78AF
Input Voltage	100-265VAC					
Input Current	0.022A	0.030A	0.043	0.052	0.061A	0.069A
Frequency	50/60 Hz.					
Output Voltage	68-78VDC					
Output Current	0.051A	0.077A	0.115A	0.128A	0.154A	0.179A
Power Factor	>0.90					
Efficiency	90%					
THDi	<20%					
Flicker	<5%					
Surge Protection	1kV					

Dimension



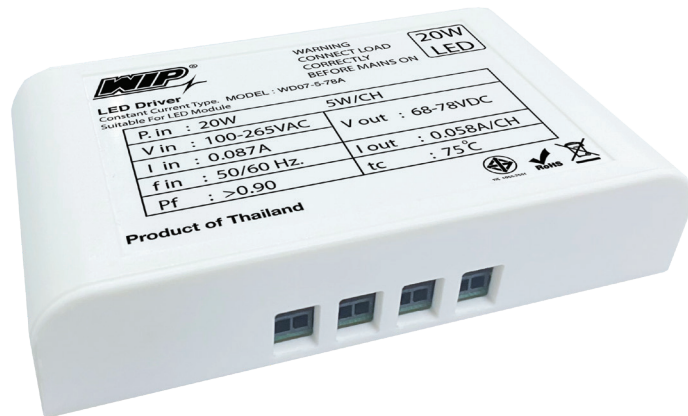
Power	5W, 7W, 10W, 12W, 14W, 16W
Length (A1)	120 mm.
Width (B1)	45 mm.
High (C1)	29 mm.
Fixing hole diameter (D1)	3.4 mm.
Fixing hole distance (A2)	117 mm.

Wiring Diagram



LED LINEAR LIGHT

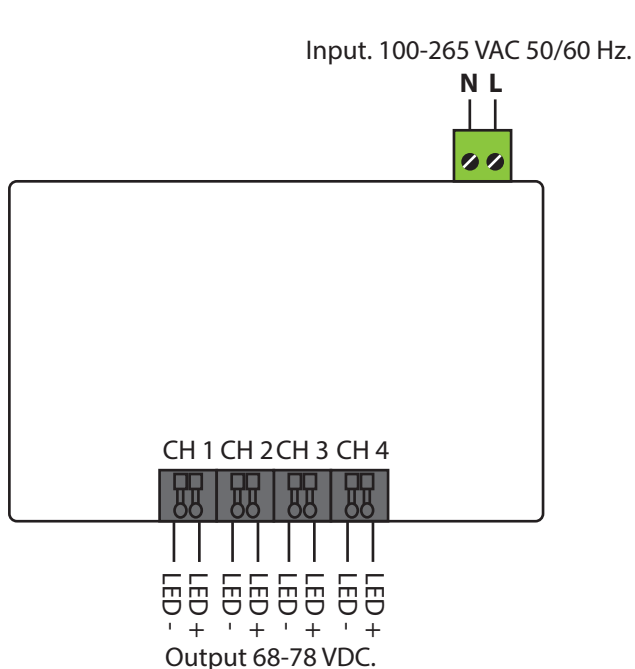
Hub



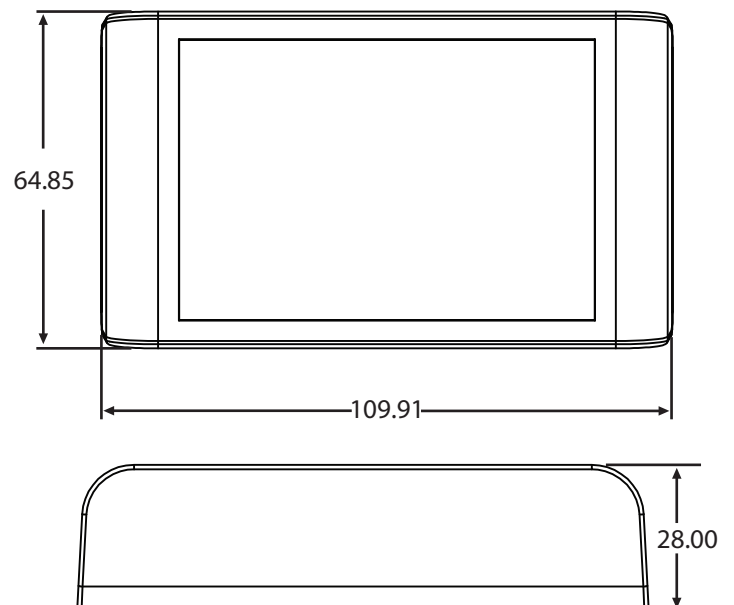
Specification

Power	20W	28W	40W	48W	56W	64W
Power/CH	5W/CH	7W/CH	10W/CH	12W/CH	14W/CH	16W/CH
Model	WD07-5-78A	WD07-7-78A	WD07-10-78A	WD07-12-78A	WD07-14-78A	WD07-16-78A
Input Voltage	100-265VAC					
Input Current	0.087	0.122	0.174	0.209	0.243A	0.278A
Frequency	50/60 Hz.					
Output Voltage	68-78VDC					
Output Current	0.058A/CH	0.081A/CH	0.115A/CH	0.138A/CH	0.162A/CH	0.185A/CH
Power Factor	>0.90					
Efficiency	90%					
THDi	<20%					
Surge Protection	1kV					

Wiring Diagram

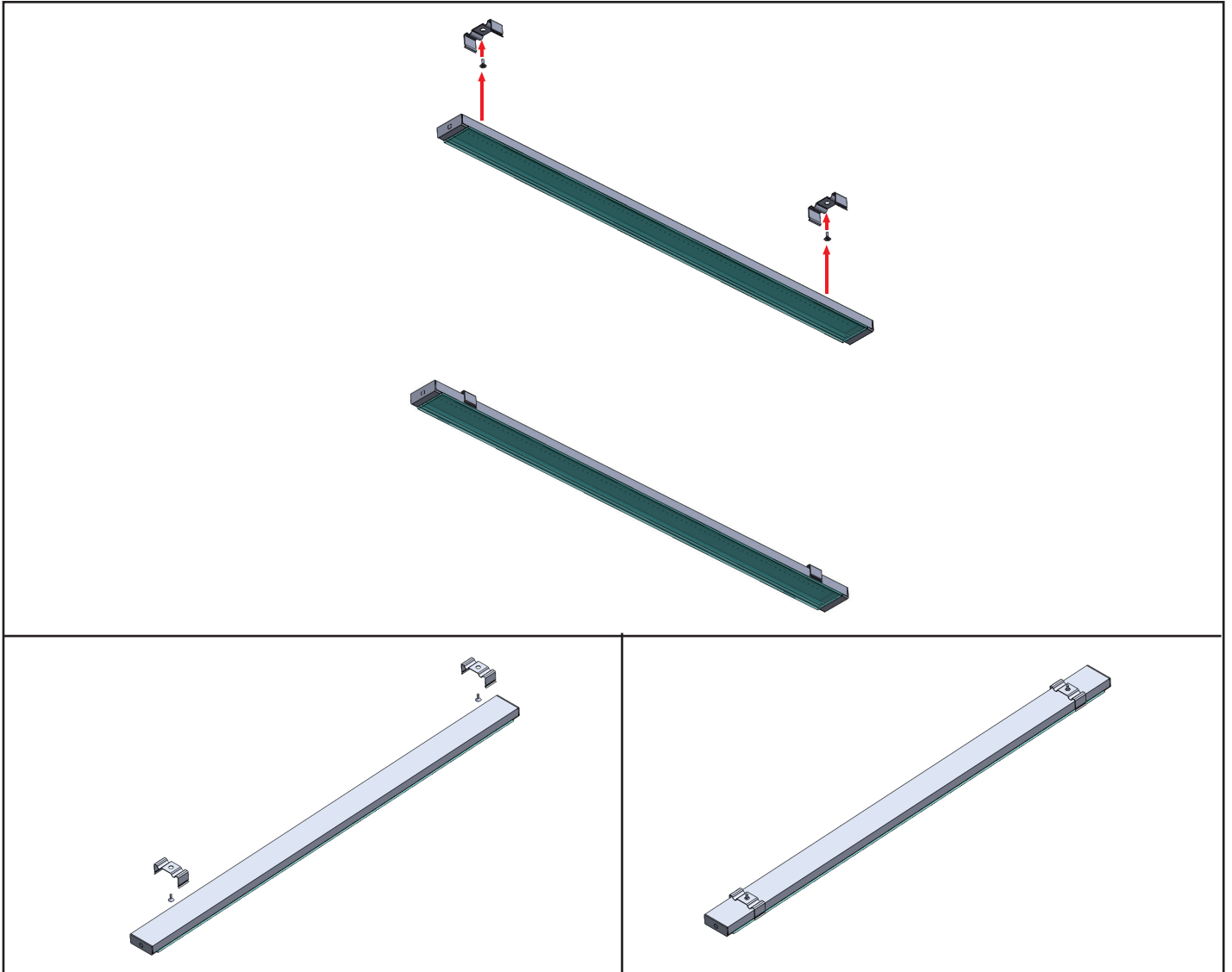


Dimension



LED LINEAR LIGHT

Installation



accessories



Hanger



Pipe & Plate Support

LED LINEAR LIGHT



*Signature
Designed by WIP*

LED Linear Shelf Light

Specification

The light rail is high quality aluminum extrusion. Recessed LED linear shelf lights. Good display lighting should be discreet, show displayed and highlight products with the best possible light, also can be high or low contrast depending on the shop. Vivid linear lighting can make the products look irresistible and create softer modeling and better uniformity also, help increase customer footfall. The design is suitable for product display case, luxury display case, products shelf, etc.

PCB Strip

Input Voltage	12 VDC
Power	45 Module x 0.4W = 18W (0.4W/ Module)
CRI	>80, >90
CCT	3000K, 4000K, 5000K, 6500K
LED Light Source	Everlight
LED Life Time	50,000 hrs.

Lens

Beam Angle ~ 40° + 100°, ~ 70° + 100°,
Double asymmetric beam
for aisle and shelf lighting,
Asymmetric beam for wall washing

Lens Material Polymethyl
Methacrylate (PMMA)

AL Rail

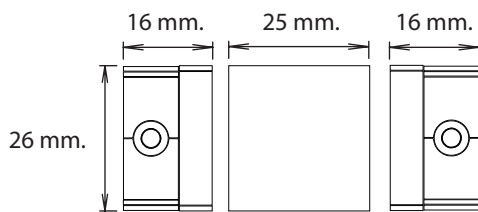
Aluminium Extrusion

Part No.	Beam	Lens	TC		Length
			CRI 80	CRI 90	
F16859	Asymmetric beam for wall washing and shelf lighting		3000K	3000K	On Requirement
			4000K	5000K	
			5000K	6500K	
			6500K		
F16858	Double asymmetric beam for aisle and shelf lighting				

LED LINEAR LIGHT

Part No.	Beam	Lens		TC		Length
		Asymmetric		CRI 80	CRI 90	
F16748	~40° + 100° Oval Beam			3000K	3000K	On Requirement
				4000K	5000K	
				5000K	6500K	
				6500K		
F16636	~60° + 90° Beam					
F16749	~70° + 100° Beam					
F17194	~90° + 100° Beam					
F16747	~110° + 100° Beam					

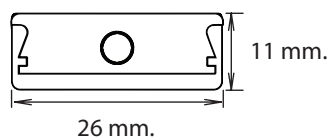
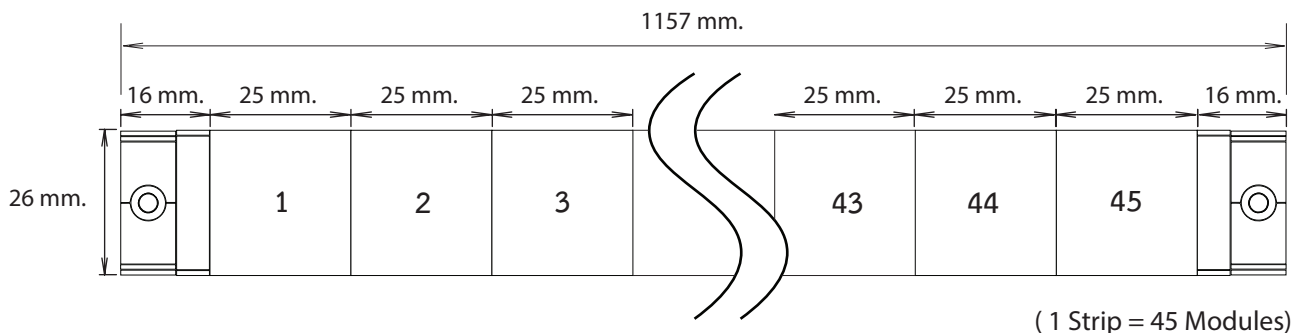
Customization Module



How to calculate the rail length

(Required Amount x Module (25 mm.)) + Endcap (32mm.)

Example Customized Module



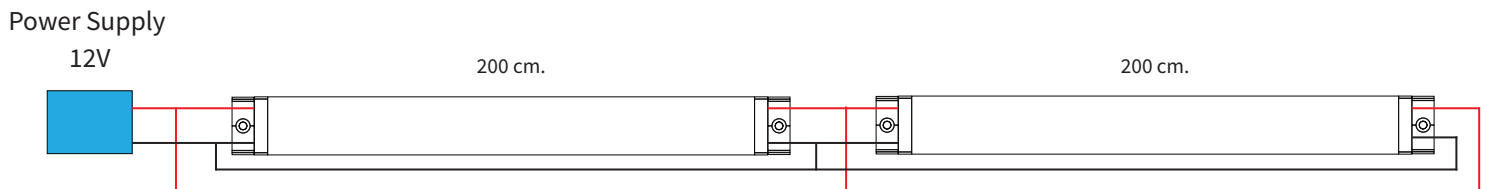
LED LINEAR LIGHT

Wiring Diagram

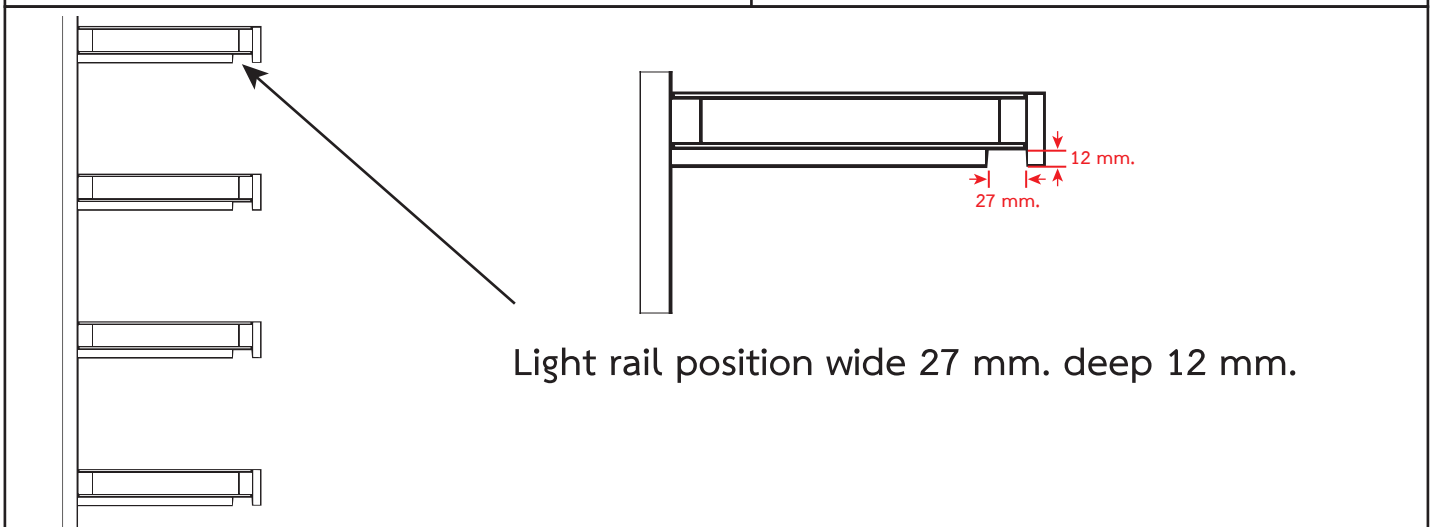
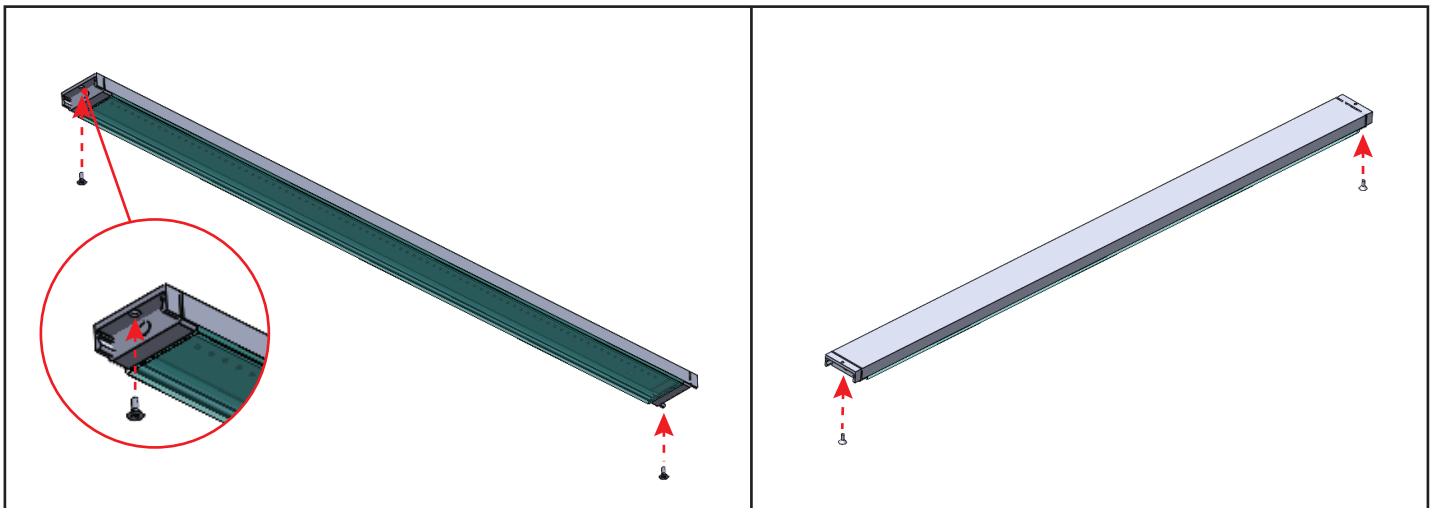
General Electrical Wiring



If the tube is longer than 200 cm. more than 2 tube, must be wire up as below picture



Installation



LED LINEAR LIGHT



Signature
Designed by WIP



LED Aisle Light : Linear Light for Supermarket Aisle

Specification

Aisle lighting is typically located in the middle of an aisle. Ledil aisle lighting can provide excellent uniform by the concept of linear luminaires for symmetric and asymmetric light distribution. The symmetric light distribution can cause unpleasant glare by delivers higher light levels on the floor to achieve needed light levels on the shelves. By the way asymmetric vertical aisle optimized beams are more effective for vertical illumination and can deliver twice light to shelf that optimally highlighted product on the shelves. Suitable for highlighting products, display case, display window, convenient store, etc.

Input Voltage	100-265VAC50/60HZ.	Work Temperature	-0°C to 45°C	CRI	>80, >90
Power Factor	>0.95	LED Life Time	50,000 hrs.	CCT	3000K, 4000K, 5000K, 6500K
Beam Angle	~ 35°, 60°, 90°, - Wall-Washing, - Uplight, - Shelflight	Lens Material	Polymethyl methacrylate (PMMA)	Tube	Aluminium Extrude
		LED Light Source	Lumileds	Surge Protection	1kV
		Dimmable	On Requirement	Warranty	3 Years

Model	Power (W)	Luminous Flux (lm)	Efficiency (lm/W)	Total Harmonic Distortion	Driver	Weight (Kg.)	Dimension
W-LINNEA-25	25	3,000	120	<15%	Internal	1.65	57.8x1147x47.2
W-LINNEA-50	50	6,000	120	<15%	External	1.65	57.8x1147x47.2
W-LINNEA-75	75	9,000	120	<15%	External	1.65	57.8x1147x47.2
W-LINNEA-100	100	12,000	120	<15%	External	1.65	57.8x1147x47.2



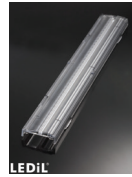
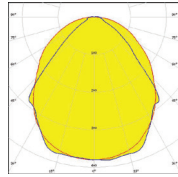
Products of Thailand

LED LINEAR LIGHT

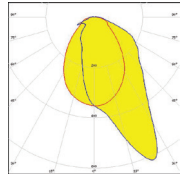
LENS



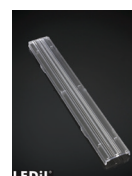
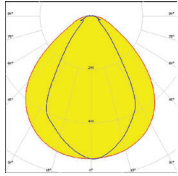
F16811_LINNEA-90-PMMA
~90° + 90° wide beam made from PMMA.



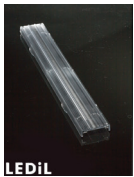
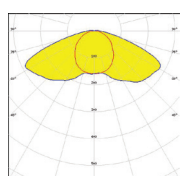
F16842_LINNEA-ZT25-PMMA
Asymmetric beam for wall-washing made from PMMA.



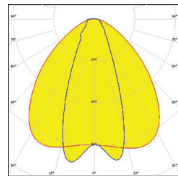
F16813_LINNEA-60-PMMA
~60° + 90° beam made from PMMA.



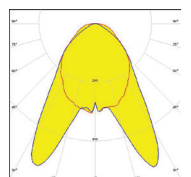
F16845_LINNEA-UP-PMMA
Asymmetric beam uplighting from PMMA.



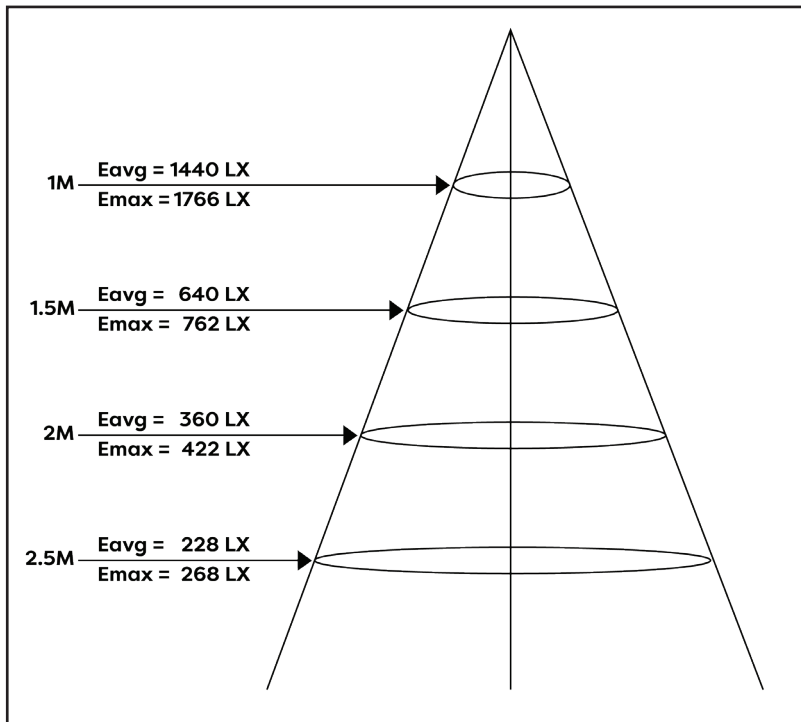
F16816_LINNEA-O-PMMA
~35° + 70° oval beam made from PMMA.



F16843_LINNEA-Z2T25-PMMA
Double asymmetric beam for aisle and shellighting made from PMMA.



Lux on Floor



accessories



Dimension

