

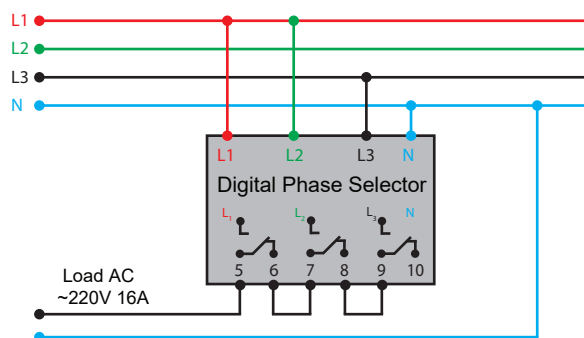


Digital Phase Selector

Nominal Phase Voltage, V	220
Mains frequency, Hz	50-60
Trip threshold for V_{min}	160-210
Trip threshold for V_{max}	230-280
Adjustable reset delay, T_{on} , s	1-600
Return delay range to the priority phase, T_r , (5—200), s	present
Return delay range to the priority phase, T_r , (200 -- ∞), s	absent
Accuracy, V	± 2
Maximum switched current of output contacts, @ no less than	16A
Operating phase voltage, V	400
Transient withstand, V	450
Power consumption (under load), V, not more than	2
Life of output contacts:	
• under load 16 A , operations, no less than	100 000
• under load 5 A , operations, not more than	1 mln.
Operating temperature, °C	from -10 to +55
Storage temperature, °C	from -10 to +70
Weight, no more than, kg	0.200
Case dimension, mm	52*88*65
Mounting 35 mm DIN-rail	
Mounting position arbitrary	

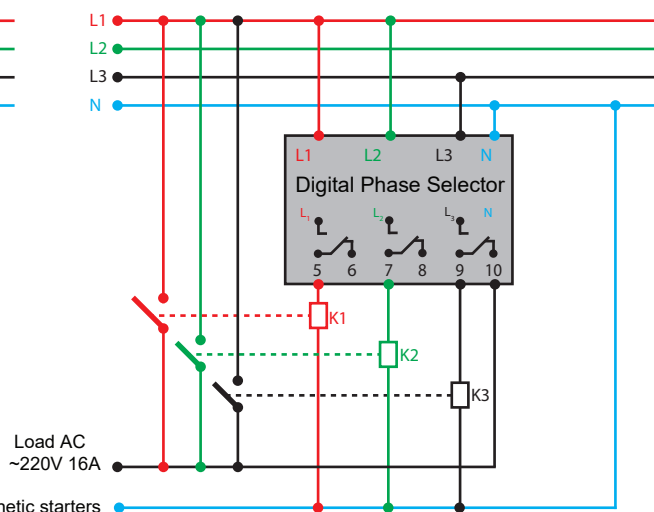
Wiring Diagram No.1

Connection when load is no more than 16A (Apply jumper straps between the 6-7 and 8-9 terminals)



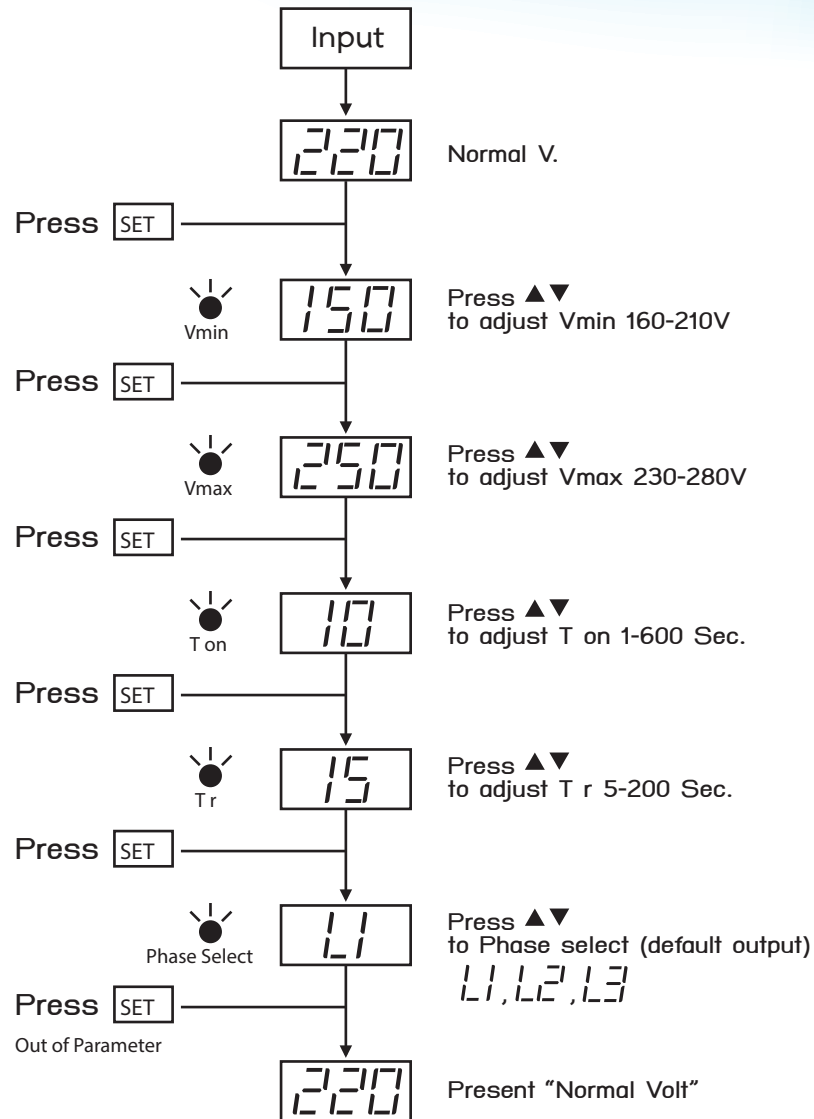
Wiring Diagram No.2

Magnetic starters-assisted connection under load more than 16A (remove jumper straps between the 6-7 and 8-9)

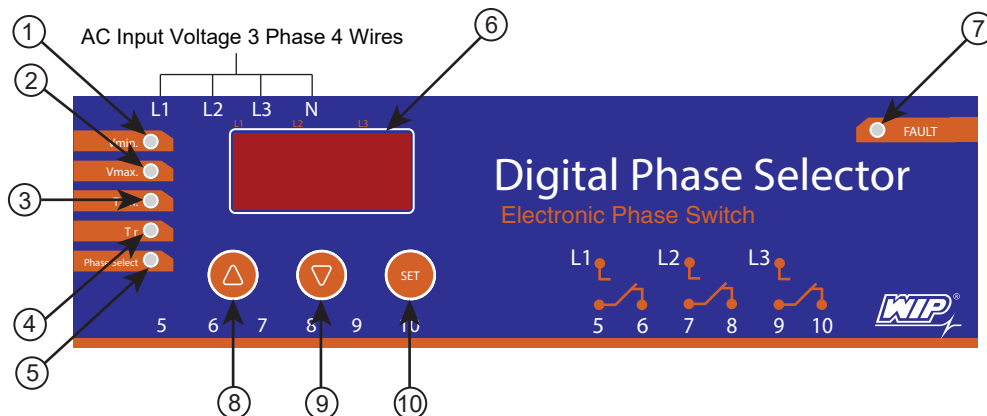


K1, K2, K3 - magnetic starters

Parameter Setting



Control Description Diagram



1. Indicator V min.
2. Indicator V max.
3. Indicator T on.
4. Indicator T r
5. Indicator Phase Select

6. 7-segment Display
7. Indicator Fault
8. Botton Up
9. Botton Down
10. Botton Set